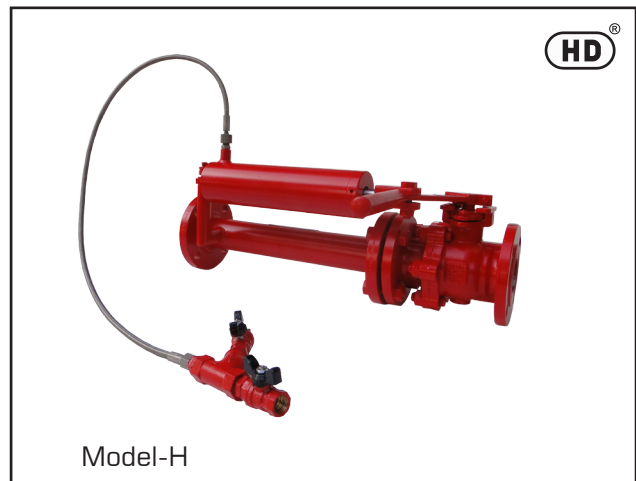
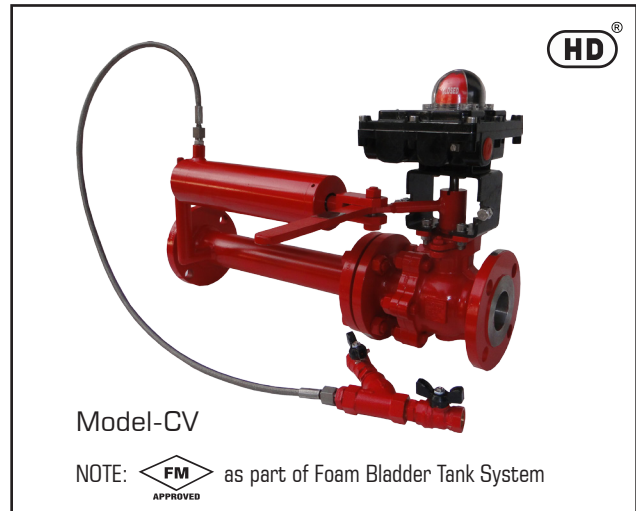


FOAM CONCENTRATE CONTROL VALVE



TECHNICAL DATA

MODEL	CV & H
SIZE	25, 40 & 50 NB
FACTORY HYDROTESTED	25 Kg./sq.cm.
OPERATING PRESSURE	MIN 2.1 Kg/SqCm (30 PSI) MAX 12.3 Kg/SqCm (175 PSI)
MATERIAL	Stainless Steel 304 standard supply. Optional 304L, 316 or 316L
INLET & OUTLET CONNECTION	Flanged end to ANSI B16.5#150RF
APPROVALS	Model CV is FM Approved with Foam Bladder Tank System of HD FIRE PROTECT
VISUAL	Provided with Model CV only, Red for closed & Yellow for open
REMOTE INDICATION	Provided with Model CV only Through limit switch box, Ex.Proof, Class-1, Group-C&D, IIA, IIB, & C
PRESSURE SENSING HOSE	Teflon tube with Stainless Steel braided cover
TRIM CONNECTION	Brass / Stainless Steel
FINISH	RED RAL 3001
ORDERING INFORMATION	Specify Model number & Size



APPLICATION

Foam concentrate control valve is designed for use in bladder tank foam system or inline balance pressure proportioning system. The valve opens automatically when water supply is established through the inlet pipe of ratio controller of bladder tank or in the inline balance pressure proportioning system. The valve opens at minimum of 2.1 Kg./sq.cm. (30 psi) water pressure. No electric power is required to operate the valve.

SPECIFICATION

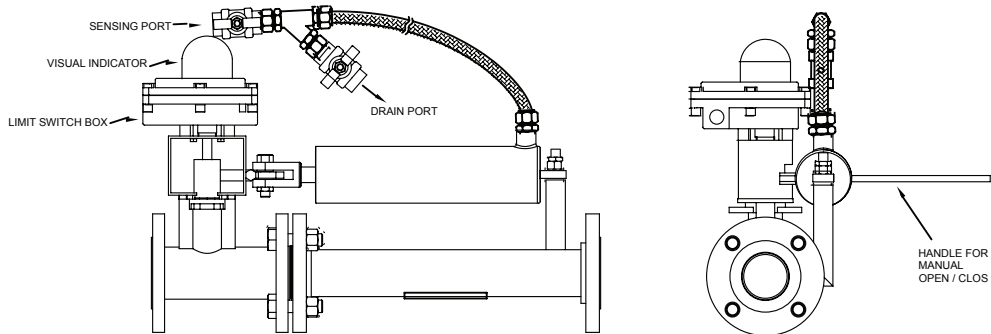
The foam concentrate control valve utilizes water as the medium to open the valve. A manual override facility is provided to open the valve. In normal condition the valve remains in closed position. When, a minimum water pressure of 2.1 Kg./sq.cm. (30 psi) is established the valve opens and closing of the valve is manual.

Visual indication as well as electric contact is provided for remote indication for open and closed position only in Model CV.

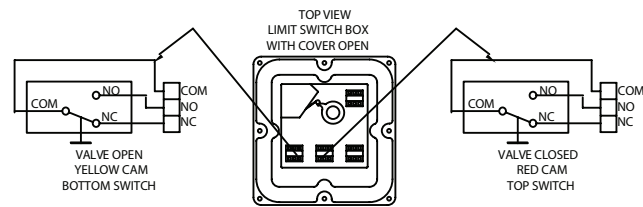
SELECTION OF FOAM CONCENTRATE CONTROL VALVE

HD Proportioner	Foam Concentrate Control Valve Size
65 NB	25 NB
80 NB	40 NB
100 NB	40 NB
150 NB	50 NB

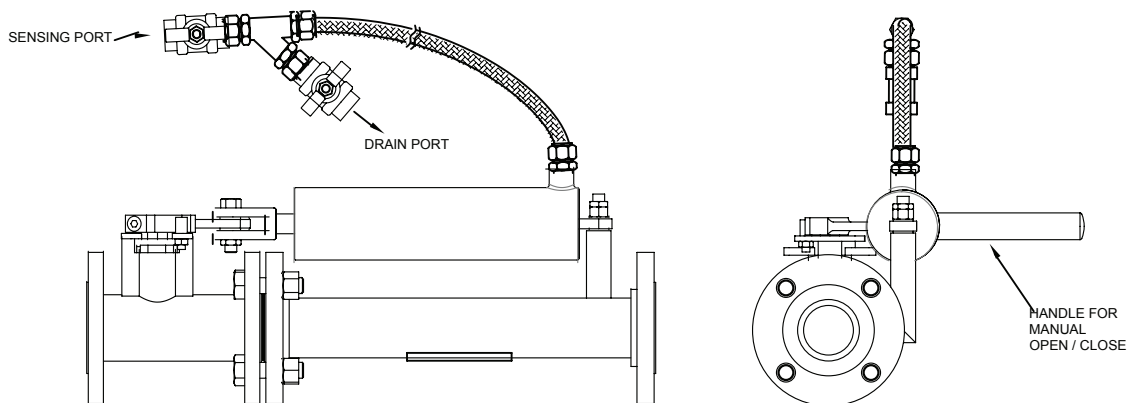
MODEL - CV



ELECTRICAL CONNECTION DIAGRAM



MODEL - H

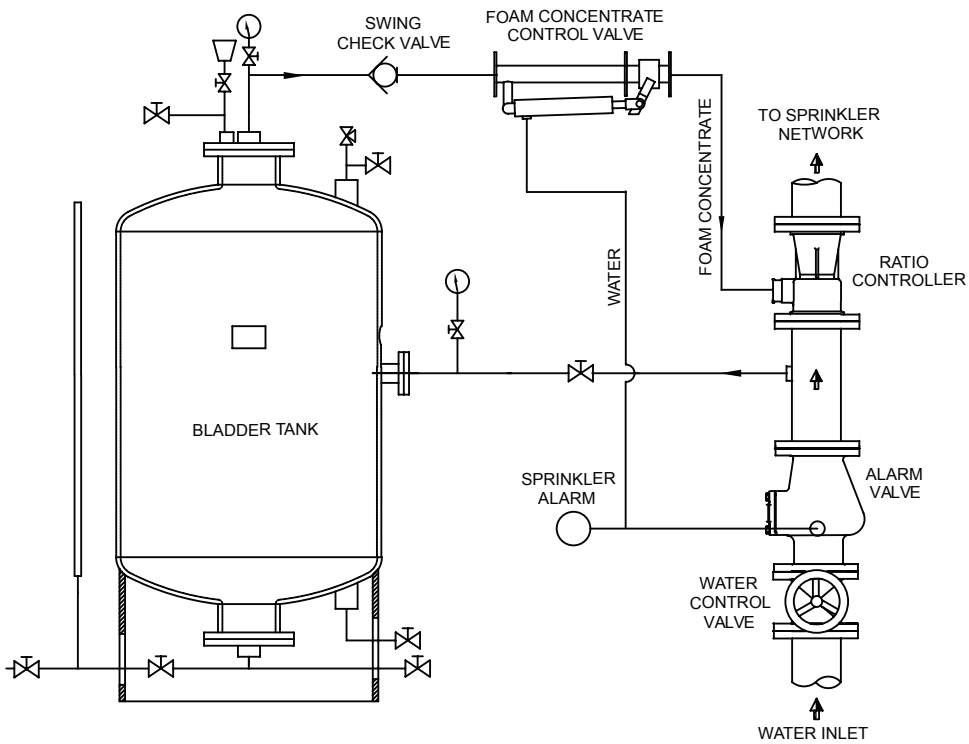
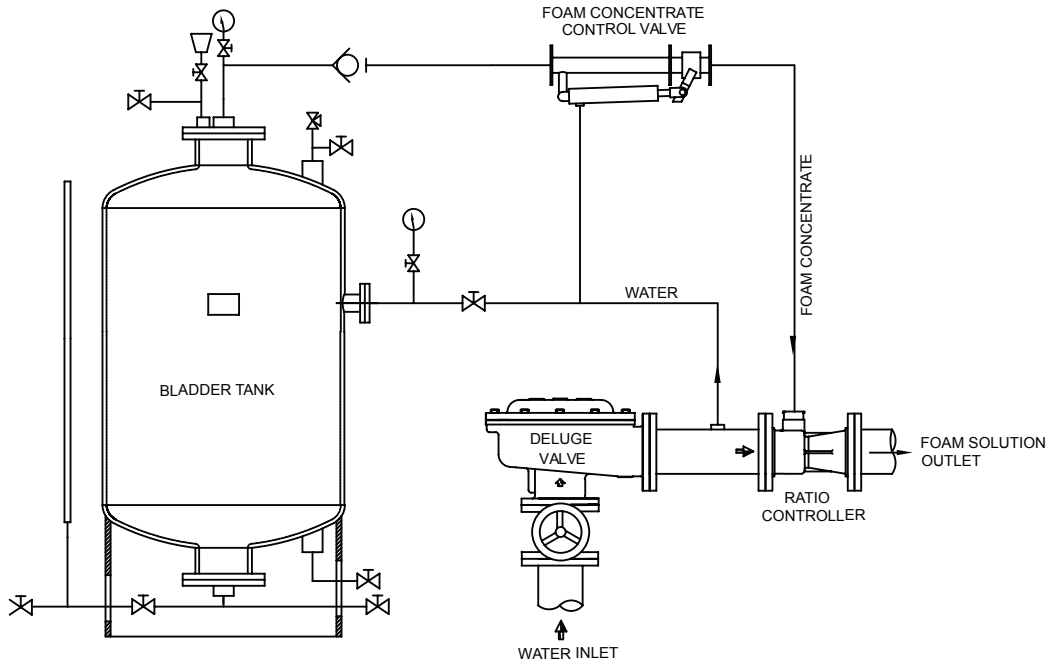


To close the valve:

1. Close Sensing port valve.
2. Open the drain port valve and all the water to drain.
3. Manual Operation handle and to be pulled till valve is fully closed.
4. Close the drain port valve.
5. Open the Sensing port valve.

NOTE: Valve can be opened manually by pulling the manual handle till the valve is fully open, after opening of drain valve & closing of Sensing port valve.

TYPICAL INSTALLATION OF FOAM CONCENTRATE CONTROL VALVE



INSPECTION AND MAINTENANCE

A qualified and trained person must commission the system. After few initial successful tests, an authorised person must be trained to perform the inspection and testing of the system, at least once in a week. The inspection should verify that all the control valves are in their proper position as per the system requirement and no damage has taken place to any component. The foam concentrate control valve/ system must be operated at least once in six weeks. The total system should be fully tested at least once in a year as per NFPA / TAC manual or in accordance to the guidelines of the organisation having local jurisdiction.

It is advised to have following minimum tests and inspection:

- 1) Manually operate the valve two to three times at least once in two months.
- 2) Fully operate with water pressure at least once in a year.

LIMITED WARRANTY

HD FIRE PROTECT PVT. LTD. hereby referred to as HD FIRE warrants to the original purchaser of the fire protection products manufactured by HD FIRE and to any other person to whom such equipment is transferred, that such products will be free from defect in material and workmanship under normal use and care, for two (2) years from the date of shipment by HD FIRE. Products or Components supplied or used by HD FIRE, but manufactured by others, are warranted only to the extent of the manufacturer's warranty. No warranty is given for product or components which have been subject to misuse, improper installation, corrosion, unauthorized repair, alteration or un-maintained. HD FIRE shall not be responsible for system design errors or improper installation or inaccurate or incomplete information supplied by buyer or buyer's representatives. HD FIRE will repair or replace defective material free of charge, which is returned to our factory, transportation charge prepaid, provided after our inspection the material is found to have been defective at the time of initial shipment from our works. HD FIRE shall not be liable for any incidental or consequential loss, damage or expense arising directly or indirectly from the use of the product including damages for injury to person, damages to property and penalties resulting from any products and components manufactured by HD FIRE. HD FIRE shall not be liable for any damages or labour charges or expense in making repair or adjustment to the product. HD FIRE shall not be liable for any damages or charges sustained in the adaptation or use of its engineering data & services. In no event shall HD Fire's product liability exceed an amount equal to the sale price. The foregoing warranty is exclusive and in lieu of all other warranties and representation whether expressed, implied, oral or written, including but not limited to, any implied warranties or merchantability or fitness for a particular purpose. All such other warranties and representations are hereby cancelled.

NOTICE :

The equipment presented in this bulletin is to be installed in accordance with the latest publication standards of NFPA or other similar organisations and also with the provision of government codes or ordinances wherever applicable.

The information provided by us is to the best of our knowledge and belief, and consist of general guidelines only. Site handling and installation control is not in our scope. Hence we give no guarantee for result and take no liability for damages, loss or penalties whatsoever, resulting from our suggestion, information, recommendation or damages due to our product.

Product development is a continuous programme of HD FIRE PROTECT PVT. LTD. and hence the right to modify any specification without prior notice is reserved with the company.



HD FIRE PROTECT PVT. LTD.
Protecting What Matters Most to You

D-6/2, ROAD NO. 34, WAGLE INDUSTRIAL ESTATE, THANE 400 604, INDIA.
• TEL: + (91) 22 2158 2600 • FAX: +(91) 22 2158 2602
• EMAIL: info@hdfire.com • WEB: www.hdfire.com