

# DELUGE VALVE

## MODEL- A (CAST IRON)



### TECHNICAL DATA

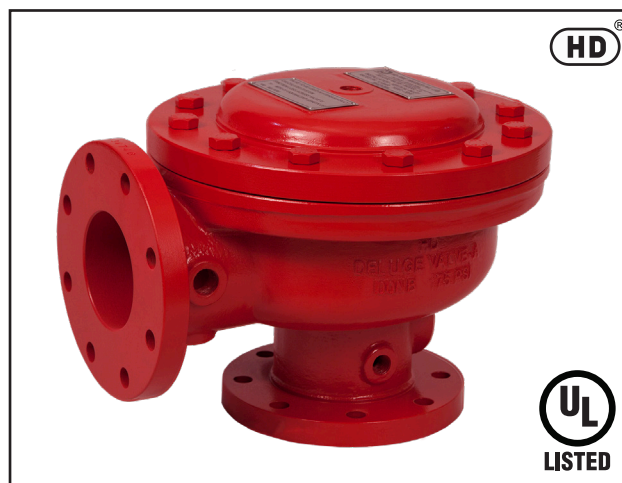
MODEL	A
NOMINAL SIZE	200, 150, 100, 80 & 50 NB
MAXIMUM SERVICE PRESSURE	12.3 kg/sq.cm (175 psi)
THREADED OPENING	BSPT
MOUNTING	90° Pattern Inlet to Outlet Vertical Mounting
FACTORY HYDROSTATIC TEST PRESSURE	25 kg/sq.cm (350 psi)
FLANGE CONNECTION	ANSI B 16.1 FF # 125 (Flange drilling matching to ANSI B 16.5 # 150)
TRIM	Galvanized Steel with Brass Valves
WET PILOT SPRINKLER HEIGHT LIMITATION	As per graph in the catalogue
NET WEIGHT WITHOUT TRIM	200NB - 214 kg 150NB - 131 kg 100NB - 77 kg 80NB - 50 kg 50NB - 47 kg
FINISH	Red RAL 3001
APPROVAL	UL Listed
ORDERING INFORMATION	Specify : 1) Size of valve 2) Trim type- Dry Pilot Wet Pilot Electric Release Test & Alarm

### DESCRIPTION

Deluge Valve is known as a system control valve in a deluge system, used for fast application of water in a spray system. Deluge valve protects areas such as power transformer installation, storage tank, conveyor protection and other industrial application etc. With the addition of foaming agent deluge valve can be used to protect aircraft hanger and inflammable liquid fire.

### VALVE OPERATION

Deluge valve is a quick release, hydraulically operated diaphragm valve. It has three chambers, isolated from each other by the diaphragm operated clapper and seat seal. While in 'SET' position, water pressure is transmitted through an external bypass check valve and restriction orifice from the system supply side to the top chamber, so that supply pressure in the top



chamber acts across the diaphragm operated clapper which holds the seat against the inlet supply pressure because of differential pressure design.

On detection of fire the top chamber is vented to atmosphere through the outlet port via opened actuation device(s). The top chamber pressure cannot be replenished through the restricted inlet port, thus it reaches less than half the supply pressure instantaneously and the upward force of the supply pressure lifts the clapper allowing water to enter the system piping network and alarm devices.

### TRIM DESCRIPTION

#### a) BASIC TRIM

The basic trim is required on deluge valve regardless of the release system. It contains those components which are required in all types of installation, such as the main drain valve, priming connection, drip check valve, emergency release valve and pressure gauges.

#### b) DRY PILOT TRIM (PNEUMATIC RELEASE)

Dry pilot operation uses a pilot line of closed Sprinklers / QB detectors containing air under pressure, located in the area to be protected. It requires regulated dry air supply with main supply point through restricted orifice.

The pilot line is connected directly to the top of POSITIVE DRAIN ACTUATOR (PDA). The bottom of PDA is connected to the top chamber of the deluge valve.

When the air pressure drops, due to release of any of the release devices on detection of fire, the diaphragm of PDA is lifted and allows the water to drain. This reduces the water pressure in the top chamber of the deluge valve and when the pressure in the top chamber reaches 50% of the supply pressure, the deluge valve opens.

The direct drain of PDA start when the top chamber pressure of deluge valve reaches approximately 0.7 kg/sq.cm. This positive drain will not permit the deluge valve to close unless the PDA is set manually. The recommended air supply pressure is as per TABLE-1.

**TABLE-1**

LINE WATER PRESSURE kg/sq.cm MAXIMUM	AIR PRESSURE IN DETECTION LINE kg/sq.cm	
	MINIMUM	MAXIMUM
2	1.2	3.0
4	1.5	3.0
6	2.0	3.5
8	2.5	3.5
10	3.0	3.5
12	3.5	4.0

#### c) WET PILOT TRIM (HYDRAULIC RELEASE)

Wet pilot operation uses a pilot line of closed sprinklers containing pressurised water, supplied through the upstream side of the deluge valve, through a restricted orifice. All the release lines are connected to a common release line. Due to release of any one of the releasing devices, the water pressure in the top chamber of the deluge valve reaches 50% of the supply pressure, the deluge valve opens.

#### CAUTION

While using a deluge valve in the wet pilot system the height and the length of the wet pilot detection line is to be limited as given in the wet pilot sprinkler height limitation graph.

#### d) ELECTRIC RELEASE TRIM

To actuate a deluge valve electrically, a solenoid valve is provided to drain the water from the top chamber of the deluge valve. A pressure switch is provided to activate an electric alarm, to shut down the desired equipment or to give "Tripped" indication to the panel.

In addition to this two nos of pressure switches can be used to monitor "Low air pressure" and "Fire condition" when used in dry pilot air line.

#### e) TEST AND ALARM TRIM WITH SPRINKLER ALARM

This trim is supplied with the sprinkler alarm bell, which bells on actuation of the deluge valve. A test valve is provided to test the normal operation of the sprinkler alarm bell.

**Note:** Trim without Test and Alarm trim, without Drain & drip valve can be supplied for which please contact marketing.

## RESETTING PROCEDURE

- (i) Close the upstream side stop valve provide below the deluge valve.
- (ii) Open both the drain valves and close them when the flow of water has ceased.
- (iii) Inspect and release if required, or close the section of the detection system subjected to "Fire condition".
- (iv) In case of dry pilot detection system, open the air supply valve to build-up air pressure as shown in TABLE-1. Open the priming valve fully and press hold the knob of PDA till the water pressure gauge indicate full service line pressure, then release the PDA knob. Open the upstream side of the stop valve provided below the deluge valve. No water should flow into the system, this can be checked by depressing the drip check valve knob.

#### CAUTION

- a. Do not close the priming valve, down stream and upstream stop valves, while the system is in service.
- b. The releasing device must be maintained in the open position, when actuated, to prevent the deluge valve from closure.
- c. While using a Deluge valve in the wet pilot system the height and the length of the wet pilot detection line is to be limited as shown in the wet pilot sprinkler limitation graph.
- d. Do not connect the Sprinkler Alarm outlet drain-line to close a common drain as it may create back pressure and Sprinkler Alarm may not function.
- e. Deluge valve must have support to absorb sudden opening or closing vibration shock to the piping.
- f. The responsibility of maintenance of the protection system and devices in proper operating condition lies with the owner of the system.
- g. Deluge Valve & its trim shall be maintained at a minimum temperature of 4°C, Heat tracing is not permitted.
- h. Deluge Valve must be used in pressurised system.

## SYSTEM TESTING PROCEDURE

- (i) Keep the upstream side of the stop valve partially open. Open the upstream side of the drain valve, to maintain a minimum pressure of 3 Kg./sq. cm on the upstream side of the deluge valve. To avoid water damage close the system side stop valve. This valve is to be kept in open position after the testing is completed.
- (ii) Open the system side drain valve of the deluge valve.

- (iii) Let any of the release devices to trip. This will result in a sudden drop of water pressure in the deluge valve top chamber resulting the deluge valve to open. The water flowing through the down stream side drain valve confirms that the deluge valve has actuated, immediately close the upstream side stop valve .
- (iv) Once testing is over reset the valve as per procedure given under heading "RESETTING PROCEDURE FOR THE DELUGE VALVE".

## INSPECTION AND MAINTENANCE

All the newly installed system piping network must be flushed properly before placing the deluge valve in service. A qualified and trained person must commission the system. After few initial successful tests an authorised person must be trained to perform inspection and testing of the system. It is recommended to have regular inspection and test run the system as per NFPA guidelines or in accordance with the guideline laid down by the organisation having local jurisdiction.

### (i) **WARNING**

Inspection and testing is to be carried out only by authorised and trained personnel. **DO NOT TURN OFF** the water supply or close any valve to make repair(s) or test the valve, without placing a roving fire patrol in the area protected by the system. Also inform the local security personnel and central alarm station, so that a false alarm is not signalled. It is recommended to carry out physical inspection of the system at least twice in a week.

The inspection should verify that all the control valves are in proper position as per the system requirement and no damage has taken place to any component.

### (ii) **NORMAL CONDITION**

- (a) All main valves are open and are sealed with tamper proof seal.
- (b) Drain valves must be kept closed.
- (c) No leak or drip is detected from the drip valve.
- (d) All the gauges except the system side water pressure gauge, should show the required pressure.
- (e) There should be no leakage in the system.

### (iii) **NORMAL CONDITION TEST**

- (a) The system should be checked for normal condition at least once a month.
- (b) Test the sprinkler alarm bell or electric alarm by turning the alarm test valve to the test position. The alarm should sound. This test should be carried out at least once in a week.
- (c) Depress the drip valve knob. Significant water accumulation indicates a possible seat leakage.

- (d) Conduct the water flow test as per the procedure of system testing at least once in a month.

### (iv) **PERIODIC CHECK**

Conduct the water flow test by actuating few of the release devices provided in the system. Clean all strainer(s) and priming line restriction. This test is to be carried out at least once in six months.

## ABNORMAL CONDITION

### (i) **ALARM FAILS TO SOUND**

- (a) Check for any obstruction in the alarm test line, Ensure that the sprinkler alarm is freely operating.
- (b) If an electric alarm is provided, check the electrical circuitry to the alarm.

### (ii) **FALSE TRIPS**

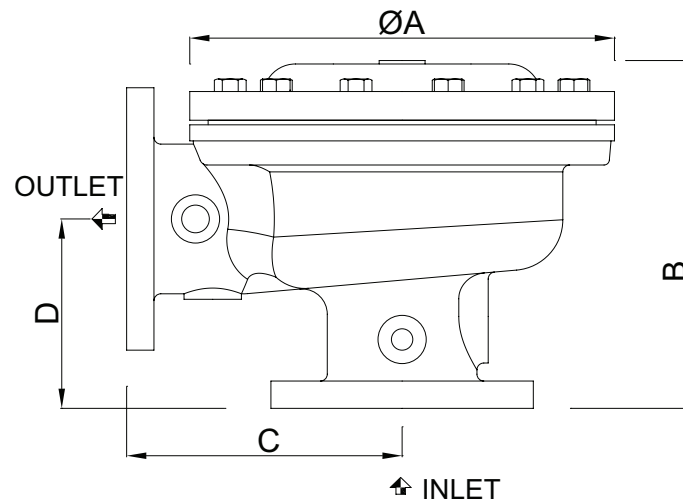
- (a) Check for clogging in priming line, restriction orifice check valve, priming valve & strainer.
- (b) Leakage in the release system.
- (c) The deluge air panel orifice clogged or low supply pressure.

### (iii) **LEAKAGE THROUGH THE DELUGE VALVE**

- (a) Damaged deluge valve seat or obstruction on the seat face by foreign object.
- (b) Leakage in release system.
- (c) Partly clogged priming line, restriction check valve.
- (d) Low air pressure on system line or leakage in release system.
- (e) PDA seat leakage due to seat damage or obstruction on seat face by foreign objects (in dry pilot system only)
- (f) Leakage through bypass valve if installed in the system.

## **NOTE:**

- (1) UL Listing is valid only when Deluge Valve is installed with trim set as per trim drawing.
- (2) The trip time of deluge valve ON-OFF device through detection network, will depend on volume of detection network. If the trip time of deluge valve is more, then it can be substantially reduced by installing check valve in branch of release line in the detection network. The check valve flow shall be towards releasing device.
- (3) The pneumatic system must have restricted orifice at air or gas supply point. The restriction nozzle are supplied with HD dry pilot actuation trim.
- (4) UL Listing is valid only when Listed Solenoid Valve provided for electric operation of the deluge valve is retained in the trim. If any other solenoid valve is used, the deluge valve trip time may be quite high or deluge valve may not trip.

**DELUGE VALVE MODEL - A SIZE 200 / 150 / 100 / 80 / 50 NB**


DIMENSION in millimeters (Approximate)

NOMINAL SIZE OF VALVE	A	B	C	D
200 NB	540	455	330	230
150 NB	464	382	300	200
100 NB	370	304	240	165
80 NB	316	272	210	135
50 NB	316	272	210	135

**DELUGE VALVE MODEL - A PART LIST**

ITEM	PART NO.					DESCRIPTION	QTY.					MATERIAL DESCRIPTION
	200 NB	150 NB	100 NB	80 NB	50 NB		200 NB	150 NB	100 NB	80 NB	50 NB	
1	NA	NA	NA	NA	NA	HOUSING	1	1	1	1	1	CAST IRON
2	2028	2019	2010	2001	2001	CLAPPER	1	1	1	1	1	DUCTILE IRON*
3	117458	117457	117456	117455	117455	RUBBER SEAT	1	1	1	1	1	EPDM**
4	2029	2020	2011	2002	2002	RUBBER CLAMP	1	1	1	1	1	DUCTILE IRON*
5	9102	9102	9102	9102	9102	BOLT (M10x20)	6	4	4	3	3	STAINLESS STEEL
6	117454	117453	117452	117451	117451	DIAPHRAGM	1	1	1	1	1	EPDM**
7	2030	2021	2012	2003	2003	CLAMP RING	1	1	1	1	1	DUCTILE IRON*
8	NA	NA	NA	NA	NA	COVER	1	1	1	1	1	CAST IRON
9	9003	9003	-	-	-	BOLT (M20X70)	14	14	-	-	-	CARBON STEEL
	-	-	9009	-	-	BOLT (M16X60)	-	-	10	-	-	CARBON STEEL
	-	-	-	9008	9008	BOLT (M16X55)	-	-	-	10	12	CARBON STEEL
10	9105	9105	9105	9105	9105	BOLT (M10X30)	12	12	8	8	8	STAINLESS STEEL
11	9023	9023	-	-	-	BOLT (M20X50)	2	2	-	-	-	CARBON STEEL
	-	-	9007	-	-	BOLT (M16X50)	-	-	2	-	-	CARBON STEEL
	-	-	-	9006	-	BOLT (M16X45)	-	-	-	2	-	CARBON STEEL

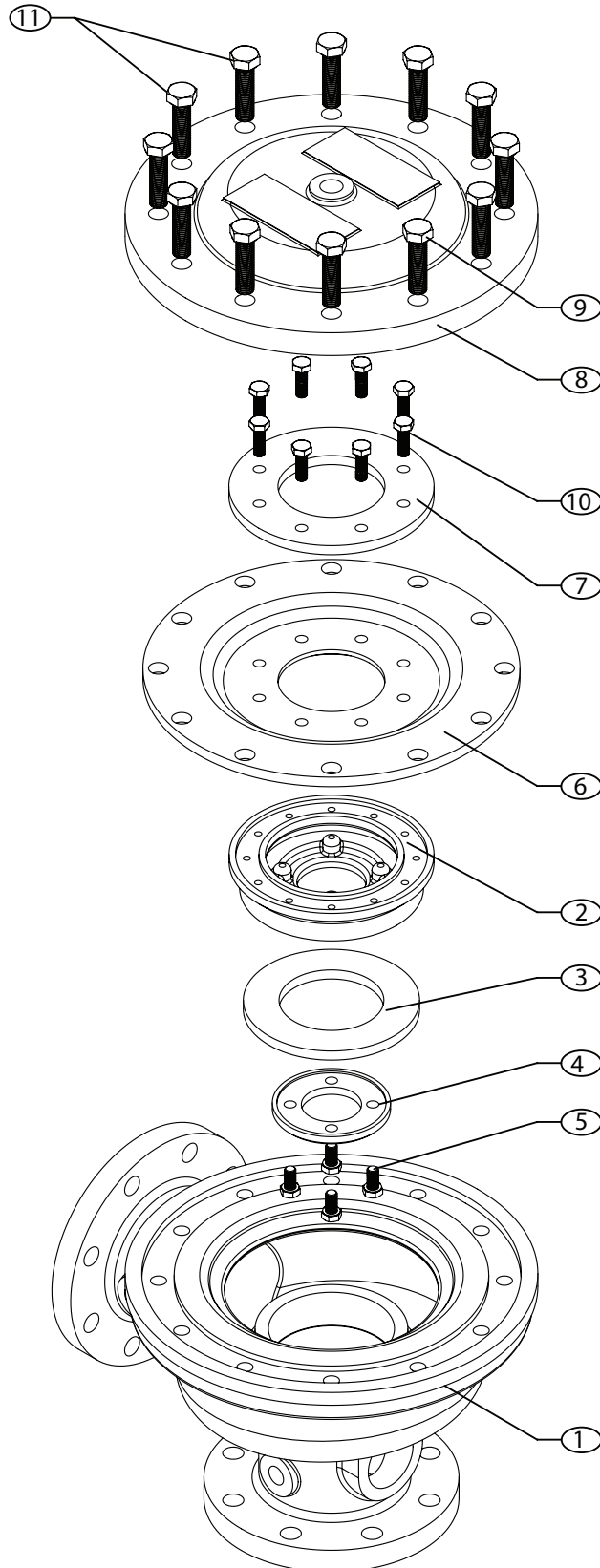
\*Ductile Iron is standard supply, Bronze &amp; Stainless Steel is optional supply.

\*\* EPDM is standard supply with Stainless Steel Seat. Neoprene is optional supply with Stainless Steel &amp; Bronze Seat.

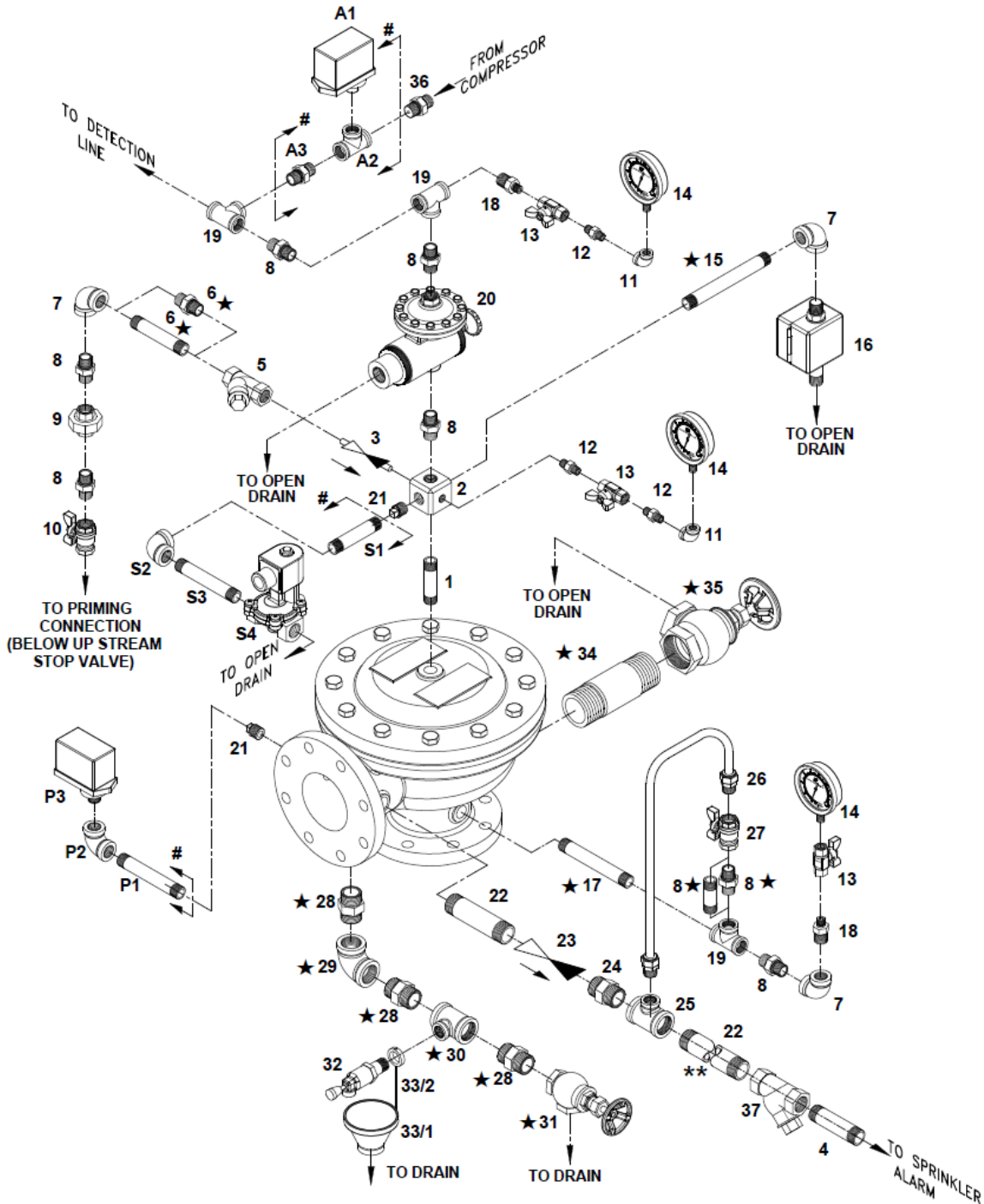
NA - Parts replacement not available.

Note: Seat is not replaceable and is Stainless Steel standard supply, Bronze is optional supply.

DELUGE VALVE MODEL - A SIZE 200 / 150 / 100 / 80/ 50 NB



**DRY PILOT BASIC TRIM ASSEMBLY FOR DELUGE VALVE MODEL - A WITH TEST & ALARM, DRIP & DRAIN VALVES, SIZES - 50/80/100/150 & 200NB - NTD**



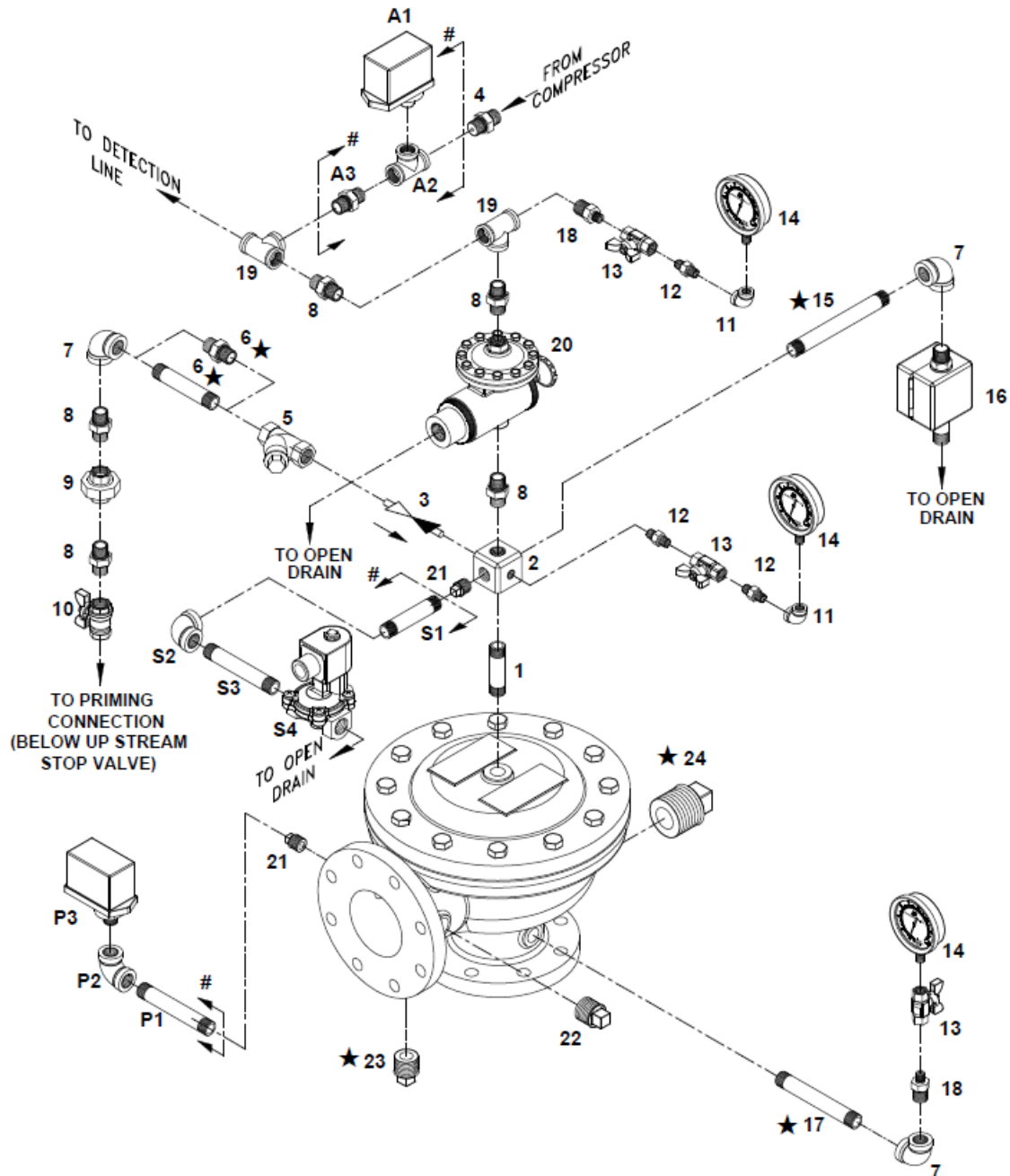
**NOTE:**

- # ELECTRIC TRIM IS OPTIONAL. WHEN ELECTRIC TRIM IS SUPPLIED, THEN SL.NO. 21 PLUG IS NOT REQUIRED
- ★ VARIANT (REFER PART LIST)
- ✱ STANDARD LENGTH SUPPLY OR USER TO SPECIFY (TO SUIT AT SITE) FOR ANY ALTERATIONS

### DRY PILOT BASIC TRIM ASSEMBLY WITH TEST & ALARM, DRIP & DRAIN VALVE - NTD

ITEM NO.	CODE NO.	DESCRIPTION	SIZE	QUANTITY PER DELUGE VALVE SIZE				
				200 NB	150 NB	100 NB	80 NB	50 NB
1	9480	PIPE NIPPLE	1/2" x 80 MM LONG	1	1	1	1	1
2	6251	6 WAY MANIFOLD	---	1	1	1	1	1
3	118273	NRV WITH RESTRICTION HEX NIPPLE	1/2"	1	1	1	1	1
4	9441	PIPE NIPPLE	3/4" x 80 MM LONG	1	1	1	1	1
5	117440	'Y' TYPE STRAINER	1/2"	1	1	1	1	1
6	9416	PIPE NIPPLE	1/2" x 110 MM LONG	1	1	--	--	--
6	8624	HEX NIPPLE	1/2"	--	--	1	1	1
7	8616	ELBOW	1/2"	3	3	3	3	3
8	8624	HEX NIPPLE	1/2"	6	7	7	7	7
8	8664	PIPE NIPPLE	1/2" X 60MM LONG	1	--	--	--	--
9	8627	UNION	1/2"	1	1	1	1	1
10	9423	BALL VALVE	1/2"	1	1	1	1	1
11	8357	ELBOW	1/4"	2	2	2	2	2
12	8698	HEX NIPPLE	1/4"	3	3	3	3	3
13	9477	GAUGE VALVE	1/4"	3	3	3	3	3
14	114071	PRESSURE GAUGE	0-300 PSI 'UL' LISTED	3	3	3	3	3
15	9564	PIPE NIPPLE	1/2" X 300 MM LONG	1	--	--	--	--
15	9565	PIPE NIPPLE	1/2" X 255 MM LONG	--	1	--	--	--
15	9403	PIPE NIPPLE	1/2" X 210 MM LONG	--	--	1	--	--
15	9401	PIPE NIPPLE	1/2" X 180 MM LONG	--	--	--	1	1
16	1951	EMERGENCY RELEASE STATION	1/2" MODEL MR-1	1	1	1	1	1
17	9414	PIPE NIPPLE	1/2" X 150 MM LONG	1	1	--	--	--
17	9399	PIPE NIPPLE	1/2" X 130 MM LONG	--	--	1	1	1
18	8631	REDUCING HEX NIPPLE	1/2" x 1/4"	2	2	2	2	2
19	8619	TEE	1/2"	3	3	3	3	3
20	1436	POSITIVE DRAIN ACTUATOR	MODEL-A	1	1	1	1	1
21	8629	PLUG	1/2"	2	2	2	2	2
22	9406	PIPE NIPPLE	3/4" x 100 MM LONG	2	2	2	2	2
23	9421	NRV	3/4"	1	1	1	1	1
24	8625	HEX NIPPLE	3/4"	1	1	1	1	1
25	8622	REDUCING TEE	3/4" x 1/2" x 3/4"	1	1	1	1	1
26	2198	COPPER TUBE ASSEMBLY	1/2"	1	--	--	--	--
26	2119	COPPER TUBE ASSEMBLY	1/2"	--	1	--	--	--
26	2135	COPPER TUBE ASSEMBLY	1/2"	--	--	1	--	--
26	2157	COPPER TUBE ASSEMBLY	1/2"	--	--	--	1	1
27	9423	BALL VALVE	1/2"	1	1	1	1	1
28	8626	HEX NIPPLE	1"	3	3	3	--	--
28	8625	HEX NIPPLE	3/4"	--	--	--	3	3
29	8618	ELBOW	1"	1	1	1	--	--
29	8617	ELBOW	3/4"	--	--	--	1	1
30	8623	REDUCING TEE	1" x 1/2" x 1"	1	1	1	--	--
30	8622	REDUCING TEE	3/4" x 1/2" x 3/4"	--	--	--	1	1
31	9391	ANGLE VALVE	1"	1	1	1	--	--
31	9393	ANGLE VALVE	3/4"	--	--	--	1	1
32	1919	DRIP VALVE	MODEL - D3	1	1	1	1	1
33/1	6005	FUNNEL	-	1	1	1	1	1
33/2	6006	FUNNEL HOLDER	--	1	1	1	1	1
34	9566	PIPE NIPPLE	2" x 110 MM LONG	1	1	1	--	--
34	9562	PIPE NIPPLE	1 1/4" x 100 MM LONG	--	--	--	1	1
35	9394	ANGLE VALVE	2"	1	1	1	--	--
35	9392	ANGLE VALVE	1 1/4"	--	--	--	1	1
36	1959	ORIFICE NOZZLE	1/2"	1	1	1	1	1
37	117441	Y-TYPE STRAINER	3/4"	1	1	1	1	1
<b>OPTIONAL</b>								
A1	--	PRESSURE SWITCH	1/2"	1	1	1	1	1
A2	8619	TEE	1/2"	1	1	1	1	1
A3	8624	HEX NIPPLE	1/2"	1	1	1	1	1
P1	9400	PIPE NIPPLE	1/2" x 135 MM LONG	1	1	1	1	1
P2	8616	ELBOW	1/2"	1	1	1	1	1
P3	--	PRESSURE SWITCH	1/2"	1	1	1	1	1
S1	9399	PIPE NIPPLE	1/2" x 130 MM LONG	1	1	1	--	--
S1	9400	PIPE NIPPLE	1/2" x 135 MM LONG	--	--	--	1	1
S2	8616	ELBOW	1/2"	1	1	1	1	1
S3	9401	PIPE NIPPLE	1/2" x 180 MM LONG	1	1	1	--	--
S3	9400	PIPE NIPPLE	1/2" x 135 MM LONG	--	--	--	1	1
S4	--	SOLENOID VALVE	1/2" SIZE, TWO WAY	1	1	1	1	1

**DRY PILOT BASIC TRIM ASSEMBLY FOR DELUGE VALVE MODEL - A  
SIZES - 50/80/100/150 & 200NB - ETD**



**NOTE:**

# ELECTRIC TRIM IS OPTIONAL. WHEN ELECTRIC TRIM IS SUPPLIED, THEN SL.NO. 21 PLUG IS NOT REQUIRED

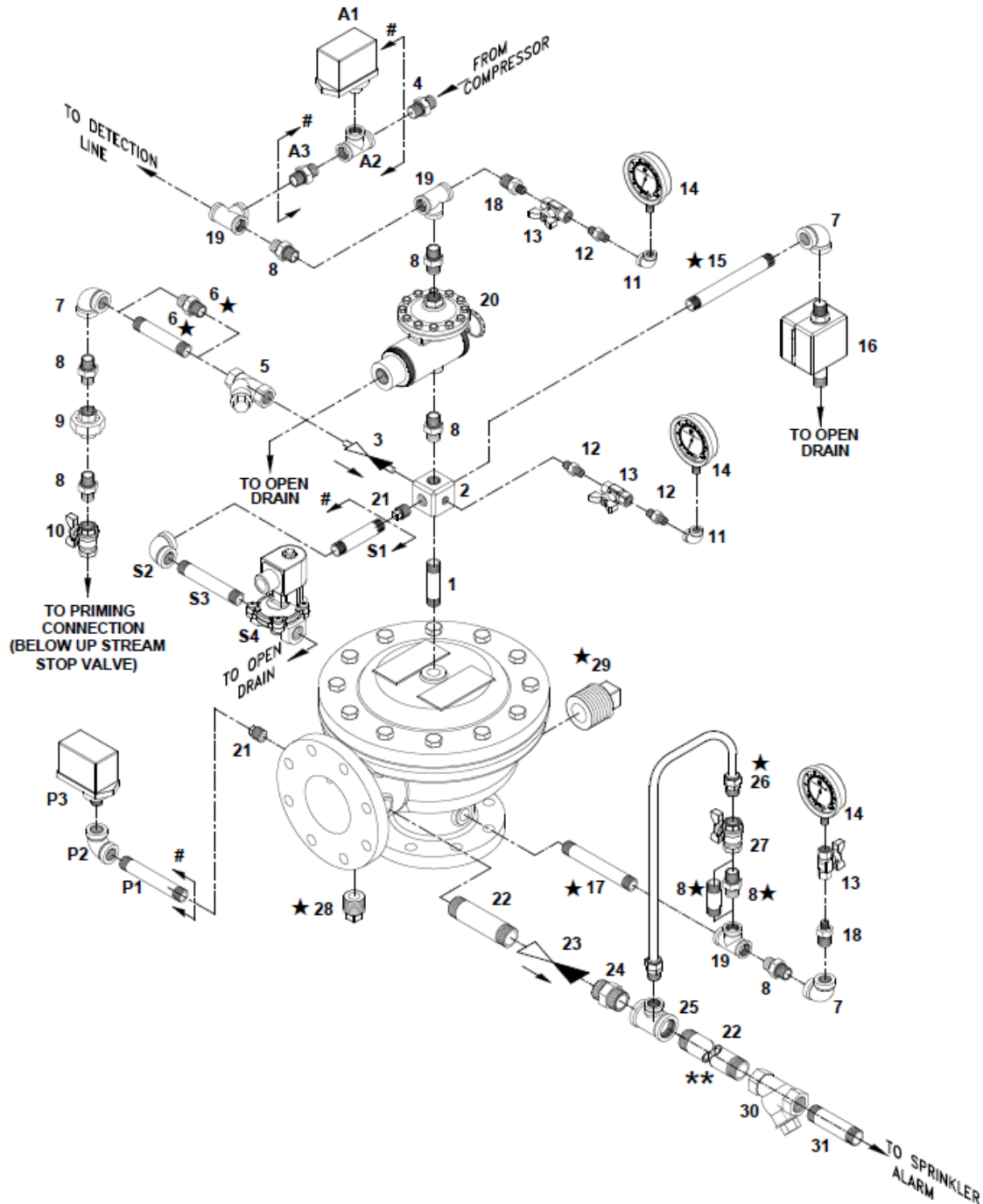
★ VARIANT (REFER PART LIST)



## DRY PILOT BASIC TRIM ASSEMBLY - ETD

ITEM NO.	CODE NO.	DESCRIPTION	SIZE	QUANTITY PER DELUGE VALVE SIZE				
				200 NB	150 NB	100 NB	80 NB	50 NB
1	9480	PIPE NIPPLE	1/2" x 80 MM LONG	1	1	1	1	1
2	6251	6 WAY MANIFOLD	---	1	1	1	1	1
3	118273	NRV WITH RESTRICTION HEX NIPPLE	1/2"	1	1	1	1	1
4	1959	ORIFICE NOZZLE	1/2"	1	1	1	1	1
5	117440	'Y' TYPE STRAINER	1/2"	1	1	1	1	1
6	9416	PIPE NIPPLE	1/2" x 110 MM LONG	1	1	--	--	--
6	8624	HEX NIPPLE	1/2"	--	--	1	1	1
7	8616	ELBOW	1/2"	3	3	3	3	3
8	8624	HEX NIPPLE	1/2"	5	5	5	5	5
9	8627	UNION	1/2"	1	1	1	1	1
10	9423	BALL VALVE	1/2"	1	1	1	1	1
11	8357	ELBOW	1/4"	2	2	2	2	2
12	8698	HEX NIPPLE	1/4"	3	3	3	3	3
13	9477	GAUGE VALVE	1/4"	3	3	3	3	3
14	114071	PRESSURE GAUGE	0-300 PSI 'UL' LISTED	3	3	3	3	3
15	9564	PIPE NIPPLE	1/2" X 300 MM LONG	1	--	--	--	--
15	9565	PIPE NIPPLE	1/2" X 255 MM LONG	--	1	--	--	--
15	9403	PIPE NIPPLE	1/2" X 210 MM LONG	--	--	1	--	--
15	9401	PIPE NIPPLE	1/2" X 180 MM LONG	--	--	--	1	1
16	1951	EMERGENCY RELEASE STATION	1/2" MODEL MR-1	1	1	1	1	1
17	9414	PIPE NIPPLE	1/2" X 150 MM LONG	1	1	--	--	--
17	9399	PIPE NIPPLE	1/2" X 130 MM LONG	--	--	1	1	1
18	8631	REDUCING HEX NIPPLE	1/2" x 1/4"	2	2	2	2	2
19	8619	TEE	1/2"	2	2	2	2	2
20	1436	POSITIVE DRAIN ACTUATOR	MODEL-A	1	1	1	1	1
21	8629	PLUG	1/2"	2	2	2	2	2
22	8630	PLUG	3/4"	1	1	1	1	1
23	8368	PLUG	1"	1	1	1	--	--
23	8630	PLUG	3/4"	--	--	--	1	1
24	8369	PLUG	2"	1	1	1	--	--
24	8367	PLUG	1 1/4"	--	--	--	1	1
<b>OPTIONAL</b>								
A1	--	PRESSURE SWITCH	1/2"	1	1	1	1	1
A2	8619	TEE	1/2"	1	1	1	1	1
A3	8624	HEX NIPPLE	1/2"	1	1	1	1	1
P1	9400	ELBOW	1/2" x 135 MM LONG	1	1	1	1	1
P2	8616	ELBOW	1/2"	1	1	1	1	1
P3	--	PRESSURE SWITCH	1/2"	1	1	1	1	1
S1	9399	PIPE NIPPLE	1/2" x 130 MM LONG	1	1	1	--	--
S1	9400	PIPE NIPPLE	1/2" x 135 MM LONG	--	--	--	1	1
S2	8616	ELBOW	1/2"	1	1	1	1	1
S3	9401	PIPE NIPPLE	1/2" x 180 MM LONG	1	1	1	--	--
S3	9400	PIPE NIPPLE	1/2" x 135 MM LONG	--	--	--	1	1
S4	--	SOLENOID VALVE	1/2" SIZE, TWO WAY	1	1	1	1	1

**DRY PILOT BASIC TRIM ASSEMBLY FOR DELUGE VALVE MODEL - A  
WITH TEST & ALARM, SIZES - 50/80/100/150 & 200 NB - ETD-T**



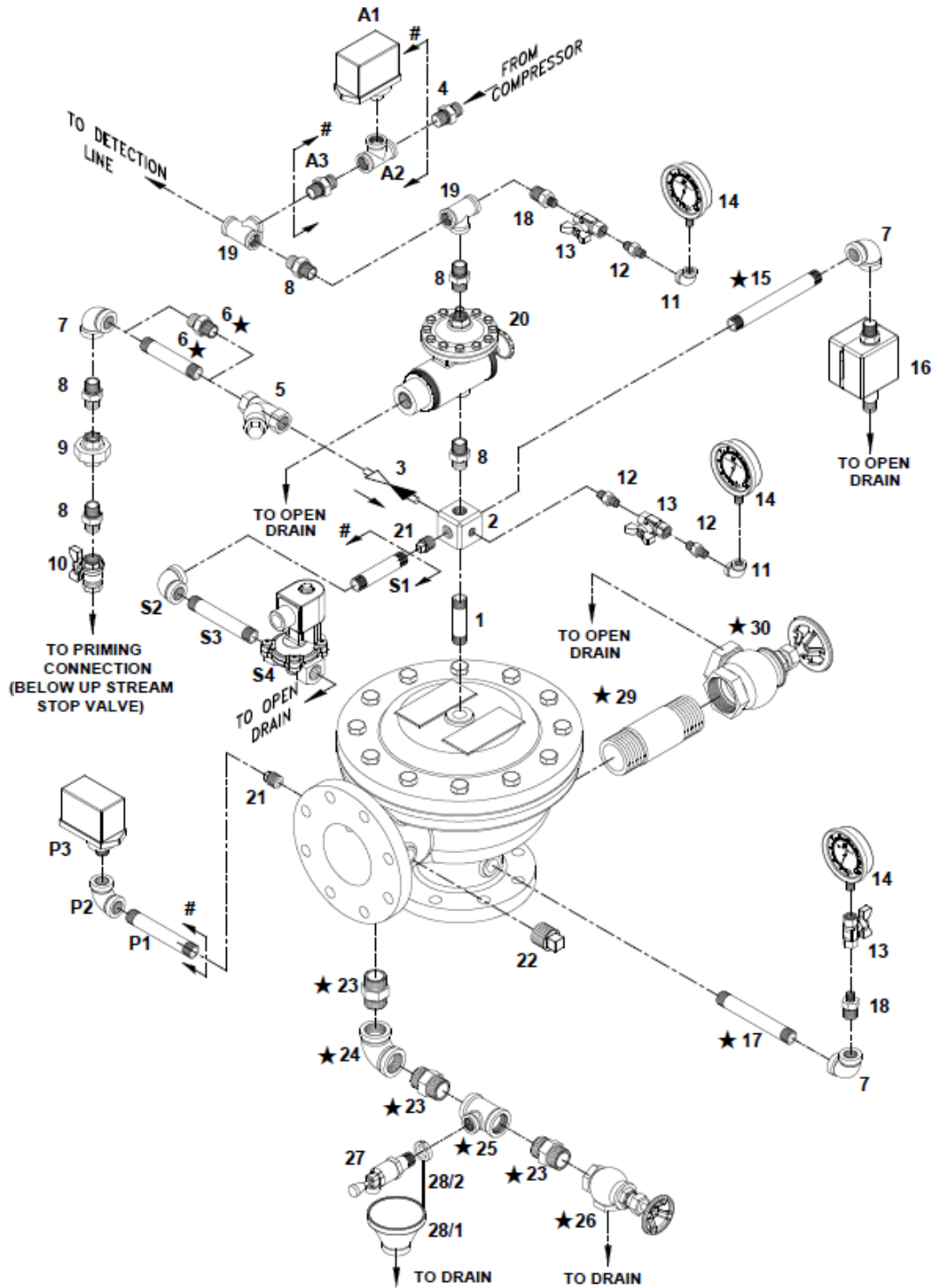
**NOTE:**

- # ELECTRIC TRIM IS OPTIONAL. WHEN ELECTRIC TRIM IS SUPPLIED, THEN SL.NO. 21 PLUG IS NOT REQUIRED
- ★ VARIANT (REFER PART LIST)
- \* STANDARD LENGTH SUPPLY OR USER TO SPECIFY (TO SUIT AT SITE) FOR ANY ALTERATIONS

### DRY PILOT BASIC TRIM ASSEMBLY, WITH TEST & ALARM -- ETD-T

ITEM NO.	CODE NO.	DESCRIPTION	SIZE	QUANTITY PER DELUGE VALVE SIZE				
				200 NB	150 NB	100 NB	80 NB	50 NB
1	9480	PIPE NIPPLE	1/2" x 80 MM LONG	1	1	1	1	1
2	6251	6 WAY MANIFOLD	---	1	1	1	1	1
3	118273	NRV WITH RESTRICTION HEX NIPPLE	1/2"	1	1	1	1	1
4	1959	ORIFICE NOZZLE	1/2"	1	1	1	1	1
5	117440	'Y' TYPE STRAINER	1/2"	1	1	1	1	1
6	9416	PIPE NIPPLE	1/2" x 110 MM LONG	1	1	--	--	--
6	8624	HEX NIPPLE	1/2"	--	--	1	1	1
7	8616	ELBOW	1/2"	3	3	3	3	3
8	8624	HEX NIPPLE	1/2"	6	7	7	7	7
8	8664	PIPE NIPPLE	1/2" x 60 MM LONG	1	--	--	--	--
9	8627	UNION	1/2"	1	1	1	1	1
10	9423	BALL VALVE	1/2"	1	1	1	1	1
11	8357	ELBOW	1/4"	2	2	2	2	2
12	8698	HEX NIPPLE	1/4"	3	3	3	3	3
13	9477	GAUGE VALVE	1/4"	3	3	3	3	3
14	114071	PRESSURE GAUGE	0-300 PSI 'UL' LISTED	3	3	3	3	3
15	9564	PIPE NIPPLE	1/2" X 300 MM LONG	1	--	--	--	--
15	9565	PIPE NIPPLE	1/2" X 255 MM LONG	--	1	--	--	--
15	9403	PIPE NIPPLE	1/2" X 210 MM LONG	--	--	1	--	--
15	9401	PIPE NIPPLE	1/2" X 180 MM LONG	--	--	--	1	1
16	1951	EMERGENCY RELEASE STATION	1/2" MODEL MR-1	1	1	1	1	1
17	9414	PIPE NIPPLE	1/2" X 150 MM LONG	1	1	--	--	--
17	9399	PIPE NIPPLE	1/2" X 130 MM LONG	--	--	1	1	1
18	8631	REDUCING HEX NIPPLE	1/2" x 1/4"	2	2	2	2	2
19	8619	TEE	1/2"	3	3	3	3	3
20	1436	POSITIVE DRAIN ACTUATOR	MODEL-A	1	1	1	1	1
21	8629	PLUG	1/2"	2	2	2	2	2
22	9406	PIPE NIPPLE	3/4" x 100 MM LONG	2	2	2	2	2
23	9421	NRV	3/4"	1	1	1	1	1
24	8625	HEX NIPPLE	3/4"	1	1	1	1	1
25	8622	REDUCING TEE	3/4" x 1/2" x 3/4"	1	1	1	1	1
26	2198	COPPER TUBE ASSEMBLY	1/2"	1	--	--	--	--
26	2119	COPPER TUBE ASSEMBLY	1/2"	--	1	--	--	--
26	2135	COPPER TUBE ASSEMBLY	1/2"	--	--	1	--	--
26	2157	COPPER TUBE ASSEMBLY	1/2"	--	--	--	1	1
27	9423	BALL VALVE	1/2"	1	1	1	1	1
28	8368	PLUG	1"	1	1	1	--	--
28	8630	PLUG	3/4"	--	--	--	1	1
29	8369	PLUG	2"	1	1	1	--	--
29	8367	PLUG	1 1/4"	--	--	--	1	1
30	117441	Y-TYPE STRAINER	3/4"	1	1	1	1	1
31	9441	PIPE NIPPLE	3/4" x 80 MM LONG	1	1	1	1	1
<b>OPTIONAL</b>								
A1	--	PRESSURE SWITCH	1/2"	1	1	1	1	1
A2	8619	TEE	1/2"	1	1	1	1	1
A3	8624	HEX NIPPLE	1/2"	1	1	1	1	1
P1	9400	ELBOW	1/2" x 135 MM LONG	1	1	1	1	1
P2	8616	ELBOW	1/2"	1	1	1	1	1
P3	--	PRESSURE SWITCH	1/2"	1	1	1	1	1
S1	9399	PIPE NIPPLE	1/2" x 130 MM LONG	1	1	1	--	--
S1	9400	PIPE NIPPLE	1/2" x 135 MM LONG	--	--	--	1	1
S2	8616	ELBOW	1/2"	1	1	1	1	1
S3	9401	PIPE NIPPLE	1/2" x 180 MM LONG	1	1	1	--	--
S3	9400	PIPE NIPPLE	1/2" x 135 MM LONG	--	--	--	1	1
S4	--	SOLENOID VALVE	1/2" SIZE, TWO WAY	1	1	1	1	1

**DRY PILOT BASIC TRIM ASSEMBLY FOR DELUGE VALVE MODEL - A  
WITH DRIP & DRAIN VALVES, SIZES - 50/80/100/150 & 200 NB - ETD-D**



**NOTE:**

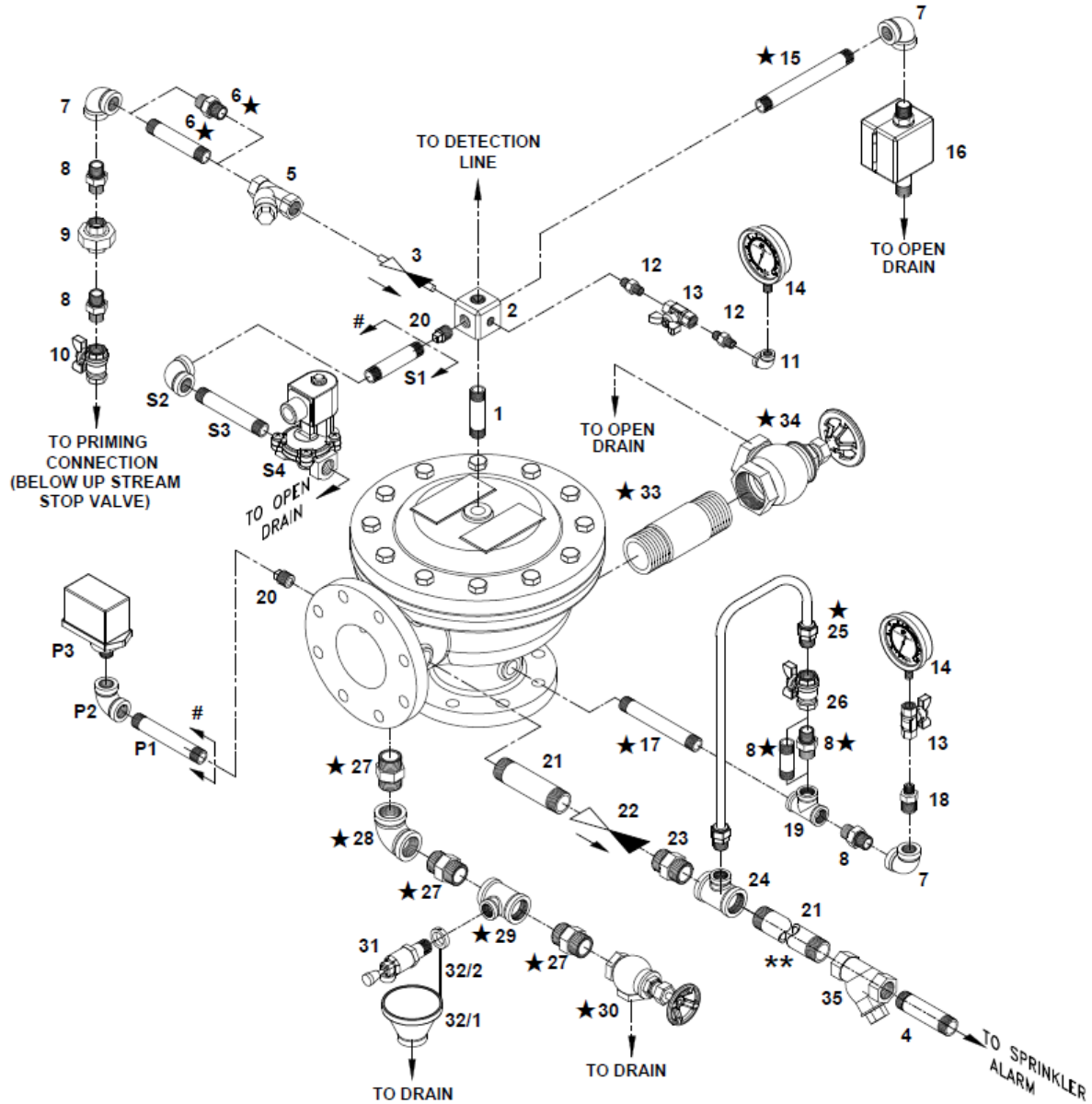
# ELECTRIC TRIM IS OPTIONAL. WHEN ELECTRIC TRIM IS SUPPLIED, THEN SL.NO. 21 PLUG IS NOT REQUIRED

★ VARIANT (REFER PART LIST)

## DRY PILOT BASIC TRIM ASSEMBLY, WITH DRIP & DRAIN VALVE -- ETD-D

ITEM NO.	CODE NO.	DESCRIPTION	SIZE	QUANTITY PER DELUGE VALVE SIZE				
				200 NB	150 NB	100 NB	80 NB	50 NB
1	9480	PIPE NIPPLE	1/2" x 80 MM LONG	1	1	1	1	1
2	6251	6 WAY MANIFOLD	---	1	1	1	1	1
3	118273	NRV WITH RESTRICTION HEX NIPPLE	1/2"	1	1	1	1	1
4	1959	ORIFICE NOZZLE	1/2"	1	1	1	1	1
5	117440	'Y' TYPE STRAINER	1/2"	1	1	1	1	1
6	9416	PIPE NIPPLE	1/2" x 110 MM LONG	1	1	--	--	--
6	8624	HEX NIPPLE	1/2"	--	--	1	1	1
7	8616	ELBOW	1/2"	3	3	3	3	3
8	8624	HEX NIPPLE	1/2"	5	5	5	5	5
9	8627	UNION	1/2"	1	1	1	1	1
10	9423	BALL VALVE	1/2"	1	1	1	1	1
11	8357	ELBOW	1/4"	2	2	2	2	2
12	8698	HEX NIPPLE	1/4"	3	3	3	3	3
13	9477	GAUGE VALVE	1/4"	3	3	3	3	3
14	114071	PRESSURE GAUGE	0-300 PSI 'UL' LISTED	3	3	3	3	3
15	9564	PIPE NIPPLE	1/2" X 300 MM LONG	1	--	--	--	--
15	9565	PIPE NIPPLE	1/2" X 255 MM LONG	--	1	--	--	--
15	9403	PIPE NIPPLE	1/2" X 210 MM LONG	--	--	1	--	--
15	9401	PIPE NIPPLE	1/2" X 180 MM LONG	--	--	--	1	1
16	1951	EMERGENCY RELEASE STATION	1/2" MODEL MR-1	1	1	1	1	1
17	9414	PIPE NIPPLE	1/2" X 150 MM LONG	1	1	--	--	--
17	9399	PIPE NIPPLE	1/2" X 130 MM LONG	--	--	1	1	1
18	8631	REDUCING HEX NIPPLE	1/2" x 1/4"	2	2	2	2	2
19	8619	TEE	1/2"	2	2	2	2	2
20	1436	POSITIVE DRAIN ACTUATOR	MODEL-A	1	1	1	1	1
21	8629	PLUG	1/2"	2	2	2	2	2
22	8630	PLUG	3/4"	1	1	1	1	1
23	8626	HEX NIPPLE	1"	3	3	3	--	--
23	8625	HEX NIPPLE	3/4"	--	--	--	1	1
24	8618	ELBOW	1"	1	1	1	1	1
24	8617	ELBOW	3/4"	--	--	--	1	1
25	8623	REDUCING TEE	1" x 1/2" x 1"	1	1	1	--	--
25	8622	REDUCING TEE	3/4" x 1/2" x 3/4"	--	--	--	1	1
26	9391	ANGLE VALVE	1"	1	1	1	--	--
26	9393	ANGLE VALVE	3/4"	--	--	--	1	1
27	1919	DRIP VALVE	MODEL-D3	1	1	1	1	1
28/1	6005	FUNNEL	--	1	1	1	1	1
28/2	6006	FUNNEL HOLDER	--	1	1	1	1	1
29	9566	PIPE NIPPLE	2" x 110 MM LONG	1	1	1	--	--
29	9562	PIPE NIPPLE	1 1/4" x 110 MM LONG	--	--	--	1	1
30	9394	ANGLE VALVE	2"	1	1	1	--	--
30	9392	ANGLE VALVE	1 1/4"	--	--	--	1	1
<b>OPTIONAL</b>								
A1	--	PRESSURE SWITCH	1/2"	1	1	1	1	1
A2	8619	TEE	1/2"	1	1	1	1	1
A3	8624	HEX NIPPLE	1/2"	1	1	1	1	1
P1	9400	ELBOW	1/2" x 135 MM LONG	1	1	1	1	1
P2	8616	ELBOW	1/2"	1	1	1	1	1
P3	--	PRESSURE SWITCH	1/2"	1	1	1	1	1
S1	9399	PIPE NIPPLE	1/2" x 130 MM LONG	1	1	1	--	--
S1	9400	PIPE NIPPLE	1/2" x 135 MM LONG	--	--	--	1	1
S2	8616	ELBOW	1/2"	1	1	1	1	1
S3	9401	PIPE NIPPLE	1/2" x 180 MM LONG	1	1	1	--	--
S3	9400	PIPE NIPPLE	1/2" x 135 MM LONG	--	--	--	1	1
S4	--	SOLENOID VALVE	1/2" SIZE, TWO WAY	1	1	1	1	1

**WET PILOT BASIC TRIM ASSEMBLY FOR DELUGE VALVE MODEL - A, WITH TEST & ALARM, DRIP & DRAIN VALVES, SIZES - 50/80/100/150 & 200 NB - NTW**



**NOTE:**

# ELECTRIC TRIM IS OPTIONAL. WHEN ELECTRIC TRIM IS SUPPLIED, THEN SL. NO. 20 PLUG IS NOT REQUIRED

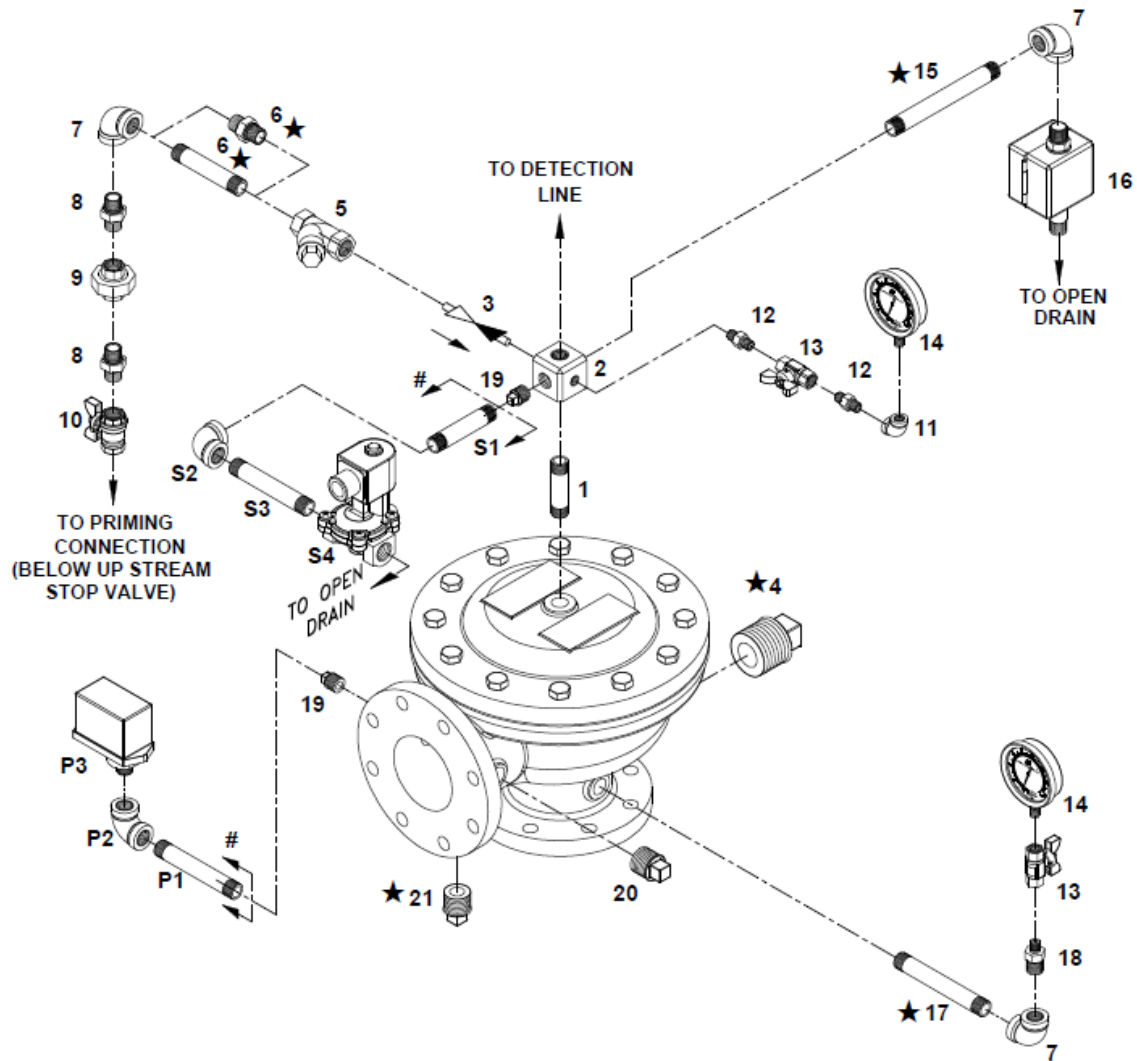
★ VARIANT (REFER PART LIST)

\* STANDARD LENGTH SUPPLY OR USER TO SPECIFY (TO SUIT AT SITE) FOR ANY ALTERATIONS

**WET PILOT BASIC TRIM ASSEMBLY, WITH TEST & ALARM, DRIP & DRAIN VALVE - NTW**

ITEM NO.	CODE NO.	DESCRIPTION	SIZE	QUANTITY PER DELUGE VALVE SIZE				
				200 NB	150 NB	100 NB	80 NB	50 NB
1	9480	PIPE NIPPLE	1/2" x 80 MM LONG	1	1	1	1	1
2	6251	6 WAY MANIFOLD	---	1	1	1	1	1
3	118273	NRV WITH RESTRICTION HEX NIPPLE	1/2"	1	1	1	1	1
4	9441	PIPE NIPPLE	3/4" x 80 MM LONG	1	1	1	1	1
5	117440	'Y' TYPE STRAINER	1/2"	1	1	1	1	1
6	9416	PIPE NIPPLE	1/2" x 110 MM LONG	1	1	--	--	--
6	8624	HEX NIPPLE	1/2"	--	--	1	1	1
7	8616	ELBOW	1/2"	3	3	3	3	3
8	8624	HEX NIPPLE	1/2"	3	4	4	4	4
8	8664	PIPE NIPPLE	1/2" X 60MM LONG	1	--	--	--	--
9	8627	UNION	1/2"	1	1	1	1	1
10	9423	BALL VALVE	1/2"	1	1	1	1	1
11	8357	ELBOW	1/4"	1	1	1	1	1
12	8698	HEX NIPPLE	1/4"	2	2	2	2	2
13	9477	GAUGE VALVE	1/4"	2	2	2	2	2
14	114071	PRESSURE GAUGE	0-300 PSI 'UL' LISTED	2	2	2	2	2
15	9564	PIPE NIPPLE	1/2" X 300 MM LONG	1	--	--	--	--
15	9565	PIPE NIPPLE	1/2" X 255 MM LONG	--	1	--	--	--
15	9403	PIPE NIPPLE	1/2" X 210 MM LONG	--	--	1	--	--
15	9401	PIPE NIPPLE	1/2" X 180 MM LONG	--	--	--	1	1
16	1951	EMERGENCY RELEASE STATION	1/2" MODEL MR-1	1	1	1	1	1
17	9414	PIPE NIPPLE	1/2" X 150 MM LONG	1	1	--	--	--
17	9399	PIPE NIPPLE	1/2" X 130 MM LONG	--	--	1	1	1
18	8631	REDUCING HEX NIPPLE	1/2" x 1/4"	1	1	1	1	1
19	8619	TEE	1/2"	1	1	1	1	1
20	8629	PLUG	1/2"	2	2	2	2	2
21	9406	PIPE NIPPLE	3/4" x 100 MM LONG	2	2	2	2	2
22	9421	NRV	3/4"	1	1	1	1	1
23	8625	HEX NIPPLE	3/4"	1	1	1	1	1
24	8622	REDUCING TEE	3/4" x 1/2" x 3/4"	1	1	1	1	1
25	2198	COPPER TUBE ASSEMBLY	1/2"	1	--	--	--	--
25	2119	COPPER TUBE ASSEMBLY	1/2"	--	1	--	--	--
25	2135	COPPER TUBE ASSEMBLY	1/2"	--	--	1	--	--
25	2157	COPPER TUBE ASSEMBLY	1/2"	--	--	--	1	1
26	9423	BALL VALVE	1/2"	1	1	1	1	1
27	8626	HEX NIPPLE	1"	3	3	3	--	--
27	8625	HEX NIPPLE	3/4"	--	--	--	3	3
28	8618	ELBOW	1"	1	1	1	--	--
28	8617	ELBOW	3/4"	--	--	--	1	1
29	8623	REDUCING TEE	1" x 1/2" x 1"	1	1	1	--	--
29	8622	REDUCING TEE	3/4" x 1/2" x 3/4"	--	--	--	1	1
30	9391	ANGLE VALVE	1"	1	1	1	--	--
30	9393	ANGLE VALVE	3/4"	--	--	--	1	1
31	1919	DRIP VALVE	MODEL - D3	1	1	1	1	1
32/1	6005	FUNNEL	-	1	1	1	1	1
32/2	6006	FUNNEL HOLDER	--	1	1	1	1	1
33	9566	PIPE NIPPLE	2" x 110 MM LONG	1	1	1	--	--
33	9562	PIPE NIPPLE	1 1/4" x 100 MM LONG	--	--	--	1	1
34	9394	ANGLE VALVE	2"	1	1	1	--	--
34	9392	ANGLE VALVE	1 1/4"	--	--	--	1	1
35	117441	Y-TYPE STRAINER	3/4"	1	1	1	1	1
<b>OPTIONAL</b>								
P1	9400	PIPE NIPPLE	1/2" x 135 MM LONG	1	1	1	1	1
P2	8616	ELBOW	1/2"	1	1	1	1	1
P3	--	PRESSURE SWITCH	1/2"	1	1	1	1	1
S1	9399	PIPE NIPPLE	1/2" x 130 MM LONG	1	1	1	--	--
S1	9400	PIPE NIPPLE	1/2" x 135 MM LONG	--	--	--	1	1
S2	8616	ELBOW	1/2"	1	1	1	1	1
S3	9401	PIPE NIPPLE	1/2" x 180 MM LONG	1	1	1	--	--
S3	9400	PIPE NIPPLE	1/2" x 135 MM LONG	--	--	--	1	1
S4	--	SOLENOID VALVE	1/2" SIZE, TWO WAY	1	1	1	1	1

**WET PILOT BASIC TRIM ASSEMBLY FOR DELUGE VALVE MODEL - A,  
SIZES - 50/80/100/150 & 200 NB - ETW**



**NOTE:**

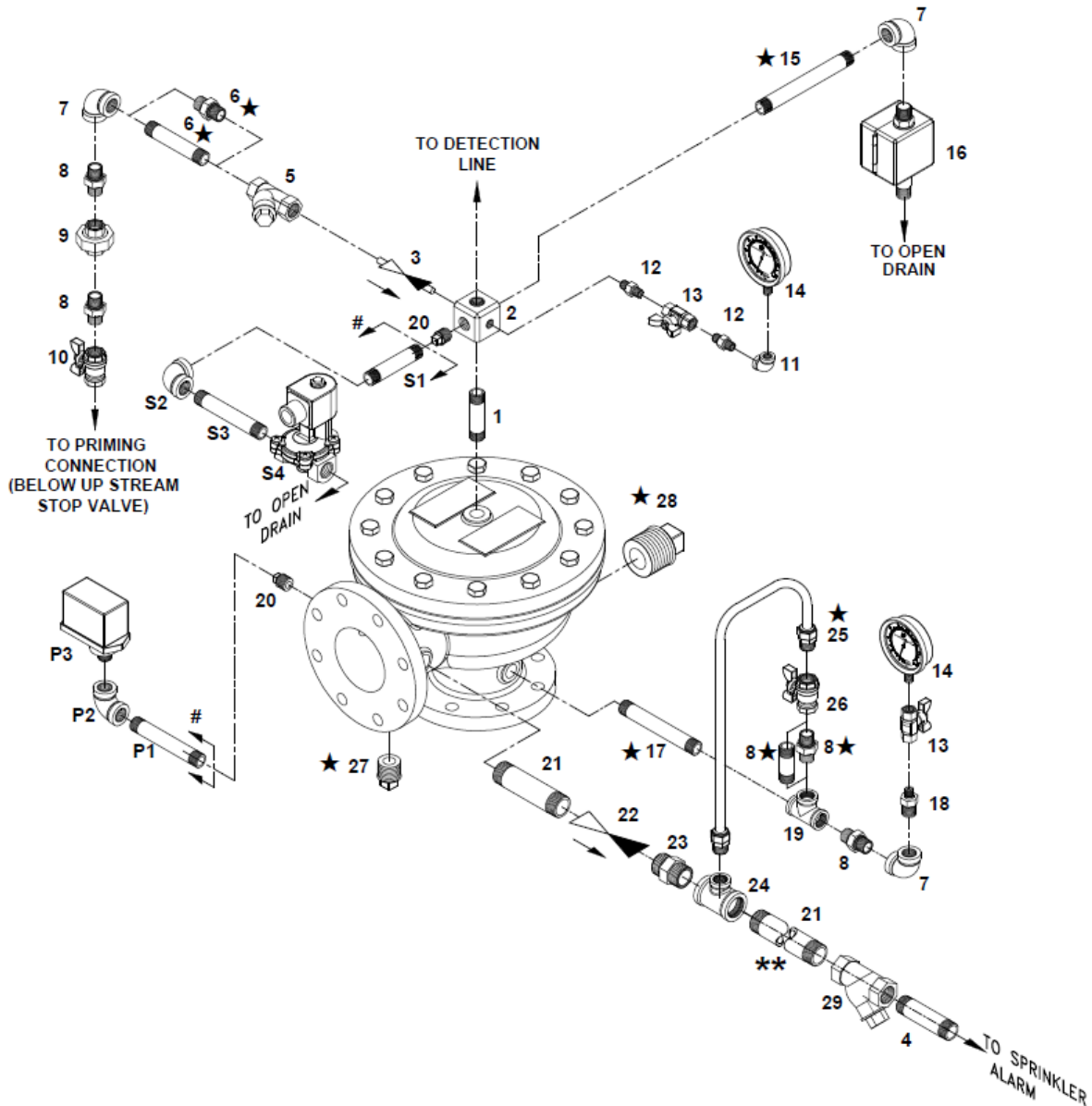
- # ELECTRIC TRIM IS OPTIONAL. WHEN ELECTRIC TRIM IS SUPPLIED, THEN SL.NO. 19 PLUG IS NOT REQUIRED
- ★ VARIANT (REFER PART LIST)



## WET PILOT BASIC TRIM ASSEMBLY - ETW

ITEM NO.	CODE NO.	DESCRIPTION	SIZE	QUANTITY PER DELUGE VALVE SIZE				
				200 NB	150 NB	100 NB	80 NB	50 NB
1	9480	PIPE NIPPLE	1/2" x 80 MM LONG	1	1	1	1	1
2	6251	6 WAY MANIFOLD	---	1	1	1	1	1
3	118273	NRV WITH RESTRICTION HEX NIPPLE	1/2"	1	1	1	1	1
4	8369	PLUG	2"	1	1	1	--	--
4	8367	PLUG	1 1/4"	--	--	--	1	1
5	117440	'Y' TYPE STRAINER	1/2"	1	1	1	1	1
6	9416	PIPE NIPPLE	1/2" x 110 MM LONG	1	1	--	--	--
6	8624	HEX NIPPLE	1/2"	--	--	1	1	1
7	8616	ELBOW	1/2"	3	3	3	3	3
8	8624	HEX NIPPLE	1/2"	2	2	2	2	2
9	8627	UNION	1/2"	1	1	1	1	1
10	9423	BALL VALVE	1/2"	1	1	1	1	1
11	8357	ELBOW	1/4"	1	1	1	1	1
12	8698	HEX NIPPLE	1/4"	2	2	2	2	2
13	9477	GAUGE VALVE	1/4"	2	2	2	2	2
14	114071	PRESSURE GAUGE	0-300 PSI 'UL' LISTED	2	2	2	2	2
15	9564	PIPE NIPPLE	1/2" X 300 MM LONG	1	--	--	--	--
15	9565	PIPE NIPPLE	1/2" X 255 MM LONG	--	1	--	--	--
15	9403	PIPE NIPPLE	1/2" X 210 MM LONG	--	--	1	--	--
15	9401	PIPE NIPPLE	1/2" X 180 MM LONG	--	--	--	1	1
16	1951	EMERGENCY RELEASE STATION	1/2" MODEL MR-1	1	1	1	1	1
17	9414	PIPE NIPPLE	1/2" X 150 MM LONG	1	1	--	--	--
17	9399	PIPE NIPPLE	1/2" X 130 MM LONG	--	--	1	1	1
18	8631	REDUCING HEX NIPPLE	1/2" x 1/4"	1	1	1	1	1
19	8629	PLUG	1/2"	2	2	2	2	2
20	8630	PLUG	3/4"	1	1	1	1	1
21	8368	PLUG	1"	1	1	1	--	--
21	8630	PLUG	3/4"	--	--	--	1	1
<b>OPTIONAL</b>								
P1	9400	ELBOW	1/2" x 135 MM LONG	1	1	1	1	1
P2	8616	ELBOW	1/2"	1	1	1	1	1
P3	--	PRESSURE SWITCH	1/2"	1	1	1	1	1
S1	9399	PIPE NIPPLE	1/2" x 130 MM LONG	1	1	1	--	--
S1	9400	PIPE NIPPLE	1/2" x 135 MM LONG	--	--	--	1	1
S2	8616	ELBOW	1/2"	1	1	1	1	1
S3	9401	PIPE NIPPLE	1/2" x 180 MM LONG	1	1	1	--	--
S3	9400	PIPE NIPPLE	1/2" x 135 MM LONG	--	--	--	1	1
S4	--	SOLENOID VALVE	1/2" SIZE, TWO WAY	1	1	1	1	1

**WET PILOT BASIC TRIM ASSEMBLY FOR DELUGE VALVE MODEL - A,  
WITH TEST & ALARM, SIZES - 50/80/100/150 & 200 NB - ETW-T**



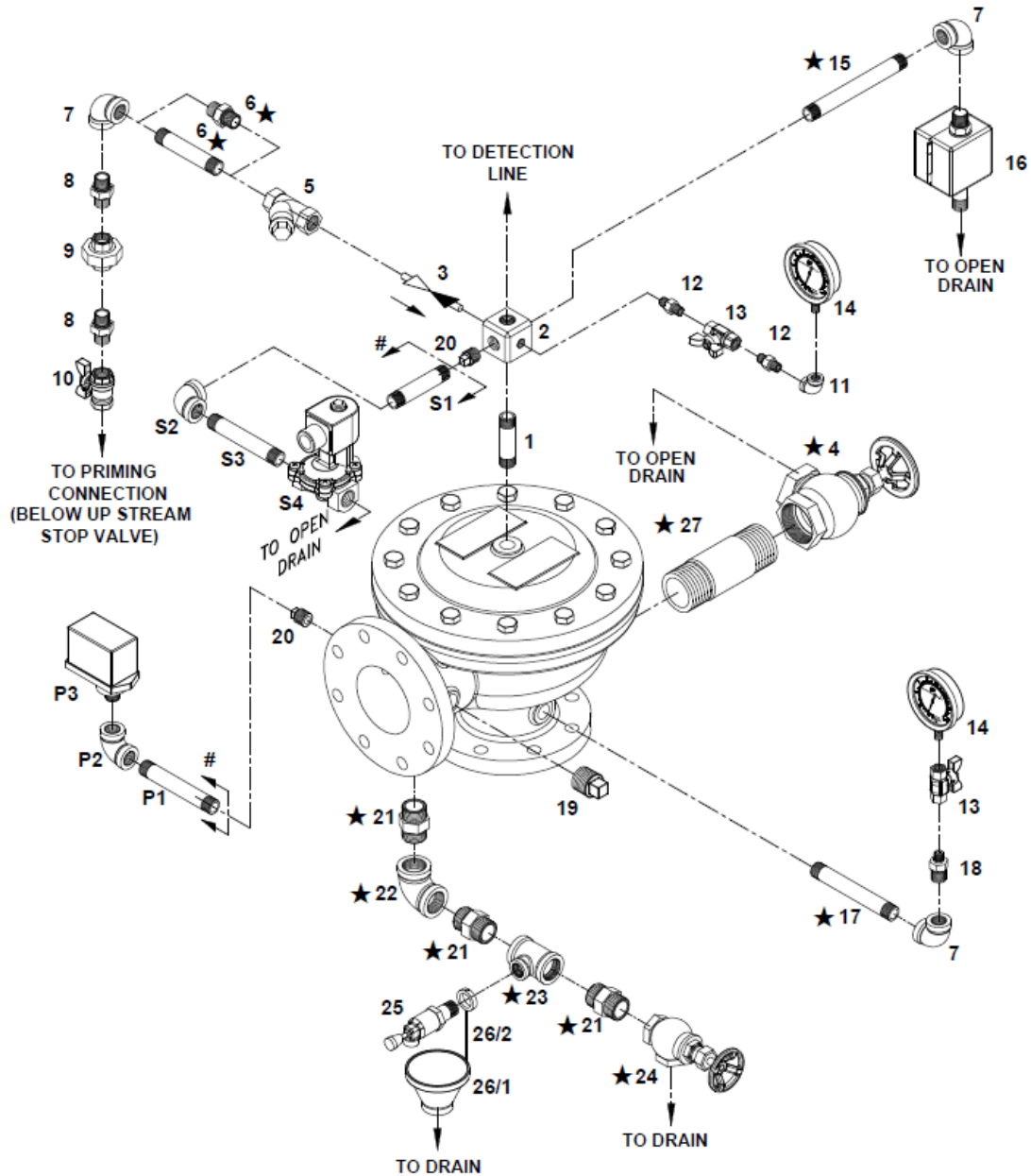
**NOTE:**

- # ELECTRIC TRIM IS OPTIONAL. WHEN ELECTRIC TRIM IS SUPPLIED, THEN SL.NO. 20 PLUG IS NOT REQUIRED
- ★ VARIANT (REFER PART LIST)
- \* STANDARD LENGTH SUPPLY OR USER TO SPECIFY (TO SUIT AT SITE) FOR ANY ALTERATIONS

## WET PILOT BASIC TRIM ASSEMBLY, WITH TEST & ALARM - ETW-T

ITEM NO.	CODE NO.	DESCRIPTION	SIZE	QUANTITY PER DELUGE VALVE SIZE				
				200 NB	150 NB	100 NB	80 NB	50 NB
1	9480	PIPE NIPPLE	1/2" x 80 MM LONG	1	1	1	1	1
2	6251	6 WAY MANIFOLD	---	1	1	1	1	1
3	118273	NRV WITH RESTRICTION HEX NIPPLE	1/2"	1	1	1	1	1
4	9441	PIPE NIPPLE	3/4" x 80 MM LONG	1	1	1	1	1
5	117440	'Y' TYPE STRAINER	1/2"	1	1	1	1	1
6	9416	PIPE NIPPLE	1/2" x 110 MM LONG	1	1	--	--	--
6	8624	HEX NIPPLE	1/2"	--	--	1	1	1
7	8616	ELBOW	1/2"	3	3	3	3	3
8	8624	HEX NIPPLE	1/2"	3	4	4	4	4
8	8664	PIPE NIPPLE	1/2" x 60 MM LONG	1	--	--	--	--
9	8627	UNION	1/2"	1	1	1	1	1
10	9423	BALL VALVE	1/2"	1	1	1	1	1
11	8357	ELBOW	1/4"	1	1	1	1	1
12	8698	HEX NIPPLE	1/4"	2	2	2	2	2
13	9477	GAUGE VALVE	1/4"	2	2	2	2	2
14	114071	PRESSURE GAUGE	0-300 PSI 'UL' LISTED	2	2	2	2	2
15	9564	PIPE NIPPLE	1/2" X 300 MM LONG	1	--	--	--	--
15	9565	PIPE NIPPLE	1/2" X 255 MM LONG	--	1	--	--	--
15	9403	PIPE NIPPLE	1/2" X 210 MM LONG	--	--	1	--	--
15	9401	PIPE NIPPLE	1/2" X 180 MM LONG	--	--	--	1	1
16	1951	EMERGENCY RELEASE STATION	1/2" MODEL MR-1	1	1	1	1	1
17	9414	PIPE NIPPLE	1/2" X 150 MM LONG	1	1	--	--	--
17	9399	PIPE NIPPLE	1/2" X 130 MM LONG	--	--	1	1	1
18	8631	REDUCING HEX NIPPLE	1/2" x 1/4"	1	1	1	1	1
19	8619	TEE	1/2"	1	1	1	1	1
20	8629	PLUG	1/2"	2	2	2	2	2
21	9406	PIPE NIPPLE	3/4" x 100 MM LONG	2	2	2	2	2
22	9421	NRV	3/4"	1	1	1	1	1
23	8625	HEX NIPPLE	3/4"	1	1	1	1	1
24	8622	REDUCING TEE	3/4" x 1/2" x 3/4"	1	1	1	1	1
25	2198	COPPER TUBE ASSEMBLY	1/2"	1	--	--	--	--
25	2119	COPPER TUBE ASSEMBLY	1/2"	--	1	--	--	--
25	2135	COPPER TUBE ASSEMBLY	1/2"	--	--	1	--	--
25	2157	COPPER TUBE ASSEMBLY	1/2"	--	--	--	1	1
26	9423	BALL VALVE	1/2"	1	1	1	1	1
27	8368	PLUG	1"	1	1	1	--	--
27	8630	PLUG	3/4"	--	--	--	1	1
28	8369	PLUG	2"	1	1	1	--	--
28	8367	PLUG	1 1/4"	--	--	--	1	1
29	117441	Y-TYPE STRAINER	3/4"	1	1	1	1	1
<b>OPTIONAL</b>								
P1	9400	ELBOW	1/2" x 135 MM LONG	1	1	1	1	1
P2	8616	ELBOW	1/2"	1	1	1	1	1
P3	--	PRESSURE SWITCH	1/2"	1	1	1	1	1
S1	9399	PIPE NIPPLE	1/2" x 130 MM LONG	1	1	1	--	--
S1	9400	PIPE NIPPLE	1/2" x 135 MM LONG	--	--	--	1	1
S2	8616	ELBOW	1/2"	1	1	1	1	1
S3	9401	PIPE NIPPLE	1/2" x 180 MM LONG	1	1	1	--	--
S3	9400	PIPE NIPPLE	1/2" x 135 MM LONG	--	--	--	1	1
S4	--	SOLENOID VALVE	1/2" SIZE, TWO WAY	1	1	1	1	1

**WET PILOT BASIC TRIM ASSEMBLY FOR DELUGE VALVE MODEL - A,  
WITH DRIP & DRAIN VALVES, SIZES - 50/80/100/150 & 200 NB - ETW-D**



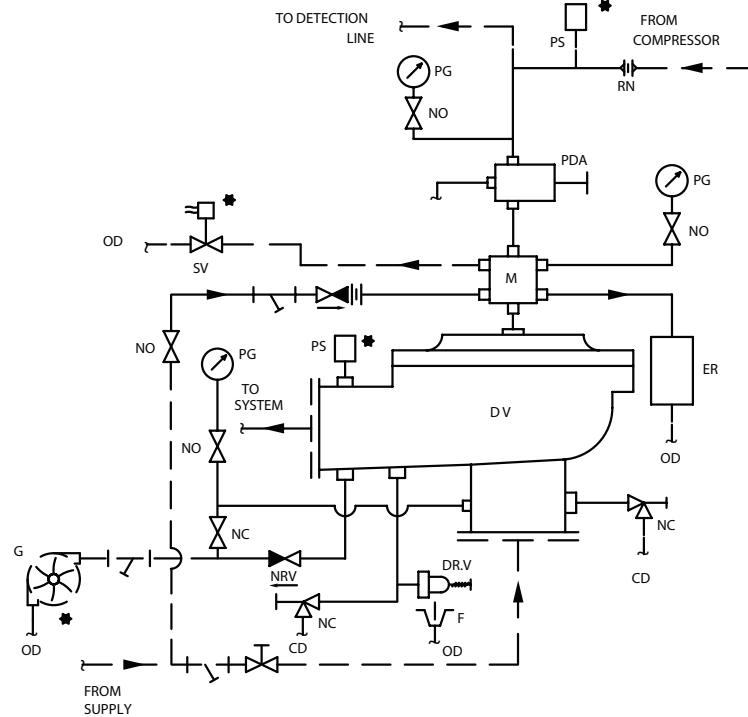
**NOTE:**

- # ELECTRIC TRIM IS OPTIONAL. WHEN ELECTRIC TRIM IS SUPPLIED, THEN SL. NO. 20 PLUG IS NOT REQUIRED
- ★ VARIANT (REFER PART LIST)

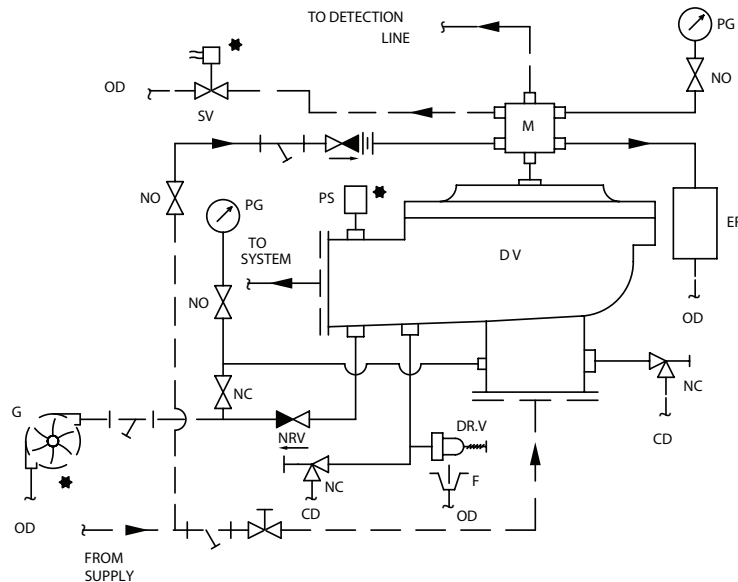
## WET PILOT BASIC TRIM ASSEMBLY, WITH DRIP & DRAIN VALVES - ETW-D

ITEM NO.	CODE NO.	DESCRIPTION	SIZE	QUANTITY PER DELUGE VALVE SIZE				
				200 NB	150 NB	100 NB	80 NB	50 NB
1	9480	PIPE NIPPLE	1/2" x 80 MM LONG	1	1	1	1	1
2	6251	6 WAY MANIFOLD	---	1	1	1	1	1
3	118273	NRV WITH RESTRICTION HEX NIPPLE	1/2"	1	1	1	1	1
4	9394	ANGLE VALVE	2"	1	1	1	--	--
4	9392	ANGLE VALVE	1 1/4"	--	--	--	1	1
5	117440	'Y' TYPE STRAINER	1/2"	1	1	1	1	1
6	9416	PIPE NIPPLE	1/2" x 110 MM LONG	1	1	--	--	--
6	8624	HEX NIPPLE	1/2"	--	--	1	1	1
7	8616	ELBOW	1/2"	3	3	3	3	3
8	8624	HEX NIPPLE	1/2"	2	2	2	2	2
9	8627	UNION	1/2"	1	1	1	1	1
10	9423	BALL VALVE	1/2"	1	1	1	1	1
11	8357	ELBOW	1/4"	1	1	1	1	1
12	8698	HEX NIPPLE	1/4"	2	2	2	2	2
13	9477	GAUGE VALVE	1/4"	2	2	2	2	2
14	114071	PRESSURE GAUGE	0-300 PSI 'UL' LISTED	2	2	2	2	2
15	9564	PIPE NIPPLE	1/2" X 300 MM LONG	1	--	--	--	--
15	9565	PIPE NIPPLE	1/2" X 255 MM LONG	--	1	--	--	--
15	9403	PIPE NIPPLE	1/2" X 210 MM LONG	--	--	1	--	--
15	9401	PIPE NIPPLE	1/2" X 180 MM LONG	--	--	--	1	1
16	1951	EMERGENCY RELEASE STATION	1/2" MODEL MR-1	1	1	1	1	1
17	9414	PIPE NIPPLE	1/2" X 150 MM LONG	1	1	--	--	--
17	9399	PIPE NIPPLE	1/2" X 130 MM LONG	--	--	1	1	1
18	8631	REDUCING HEX NIPPLE	1/2" x 1/4"	1	1	1	1	1
19	8630	PLUG	3/4"	1	1	1	1	1
20	8629	PLUG	1/2"	2	2	2	2	2
21	8626	HEX NIPPLE	1"	3	3	3	--	--
21	8625	HEX NIPPLE	3/4"	--	--	--	3	3
22	8618	ELBOW	1"	1	1	1	1	1
22	8617	ELBOW	3/4"	--	--	--	1	1
23	8623	REDUCING TEE	1" x 1/2" x 1"	1	1	1	--	--
23	8622	REDUCING TEE	3/4" x 1/2" x 3/4"	--	--	--	1	1
24	9391	ANGLE VALVE	1"	1	1	1	--	--
24	9393	ANGLE VALVE	3/4"	--	--	--	1	1
25	1919	DRIP VALVE	MODEL-D3	1	1	1	1	1
26/1	6005	FUNNEL	--	1	1	1	1	1
26/2	6006	FUNNEL HOLDER	--	1	1	1	1	1
27	9566	PIPE NIPPLE	2" x 110 MM LONG	1	1	1	--	--
27	9562	PIPE NIPPLE	1 1/4" x 110 MM LONG	--	--	--	1	1
<b>OPTIONAL</b>								
P1	9400	ELBOW	1/2" x 135 MM LONG	1	1	1	1	1
P2	8616	ELBOW	1/2"	1	1	1	1	1
P3	--	PRESSURE SWITCH	1/2"	1	1	1	1	1
S1	9399	PIPE NIPPLE	1/2" x 130 MM LONG	1	1	1	--	--
S1	9400	PIPE NIPPLE	1/2" x 135 MM LONG	--	--	--	1	1
S2	8616	ELBOW	1/2"	1	1	1	1	1
S3	9401	PIPE NIPPLE	1/2" x 180 MM LONG	1	1	1	--	--
S3	9400	PIPE NIPPLE	1/2" x 135 MM LONG	--	--	--	1	1
S4	--	SOLENOID VALVE	1/2" SIZE, TWO WAY	1	1	1	1	1






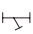
**ELECTRIC & PNEUMATIC RELEASE TRIM - SCHEMATIC**  
**DELUGE VALVE MODEL - A SIZE 200 / 150 / 100 / 80 / 50 NB**



**ELECTRIC & HYDRAULIC RELEASE TRIM - SCHEMATIC**  
**DELUGE VALVE MODEL - A SIZE 200 / 150 / 100 / 80 / 50 NB**

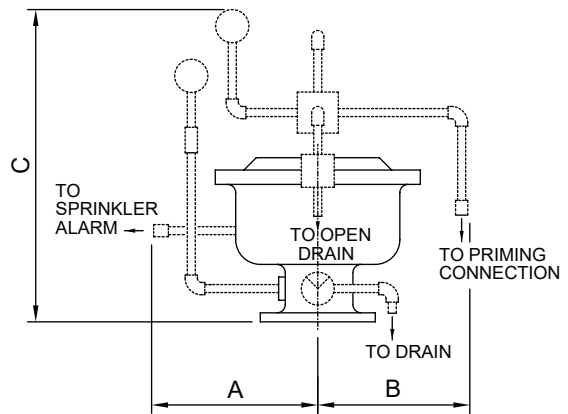
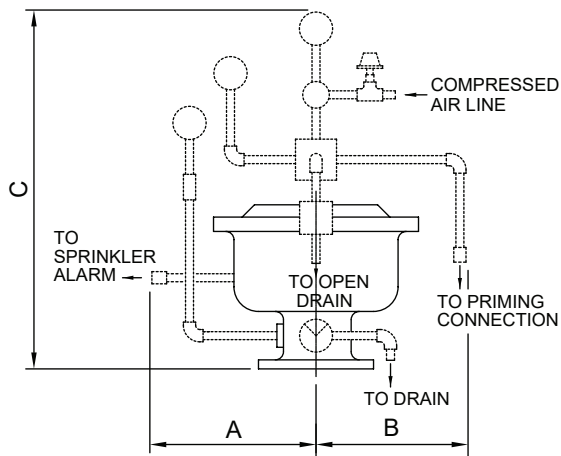
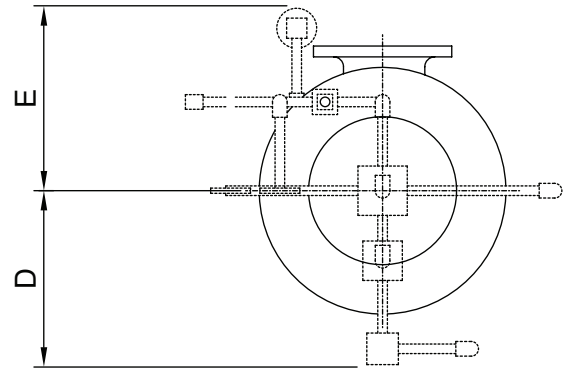
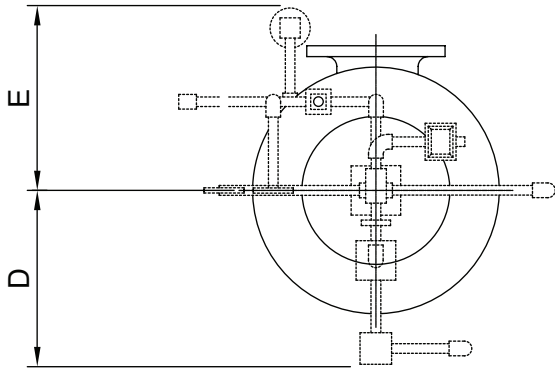


**ABBREVIATION & SYMBOLS**

 VALVE	 ANGLE VALVE	PS PRESSURE SWITCH	DR.V DRIP VALVE
NRV NON RETURN VALVE	DV DELUGE VALVE	 STOP VALVE	F FUNNEL
ER EMERGENCY RELEASE BOX	 OPTIONAL	CD COMMON DRAIN	--- BY USER
M SIX WAY MANIFOLD	G SPRINKLER ALARM	 NRV WITH RESTRICTION HEX NIPPLE	OD OPEN DRAIN
RN RESTRICTION NOZZLE	PG PRESSURE GAUGE	SV SOLENOID VALVE	 STRAINER
PDA POSITIVE DRAIN ACTUATOR	NO NORMALLY OPEN	NC NORMALLY CLOSED	

**PNEUMATIC AND ELECTRIC  
RELEASE TRIM**

**HYDRAULIC AND ELECTRIC  
RELEASE TRIM**



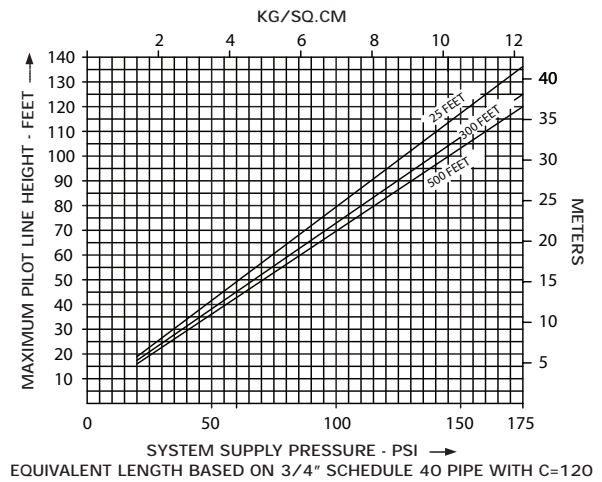
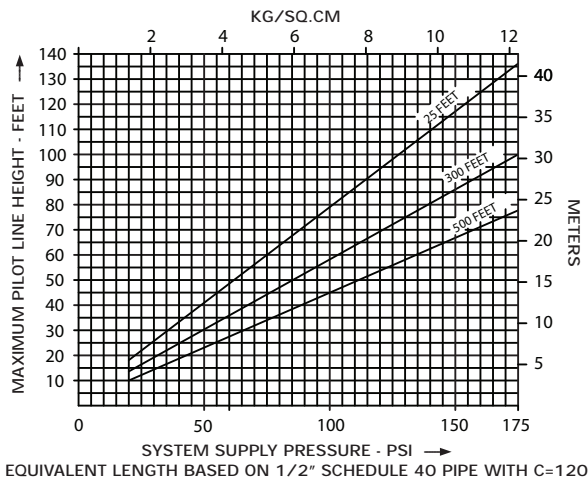
**INSTALLATION MEASUREMENT IN MM  
(APPROXIMATE)**

SIZE	200NB	150NB	100NB	80NB	50NB
A	390	370	370	350	350
B	525	500	450	450	450
C	1050	1025	950	930	930
D	510	500	450	450	450
E	500	480	420	410	410

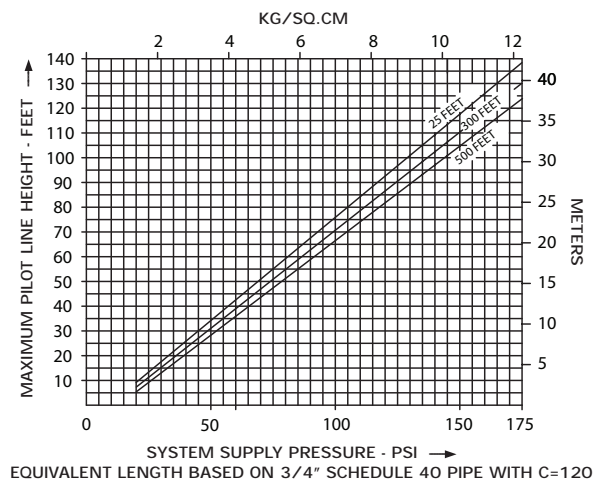
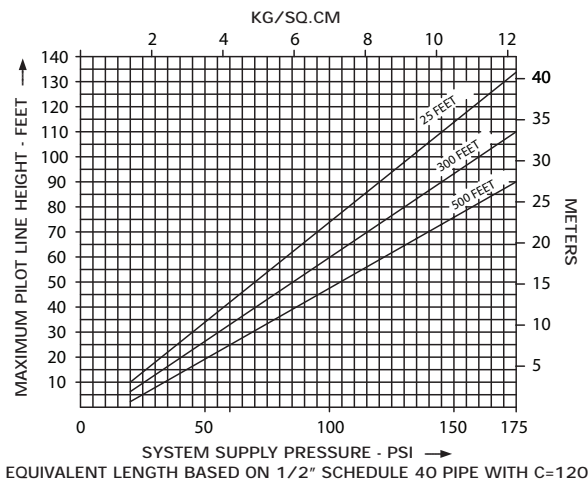
**INSTALLATION MEASUREMENT IN MM  
(APPROXIMATE)**

SIZE	200NB	150NB	100NB	80NB	50NB
A	390	370	370	350	350
B	525	500	450	450	450
C	875	800	750	700	700
D	510	500	450	450	450
E	500	480	420	410	410

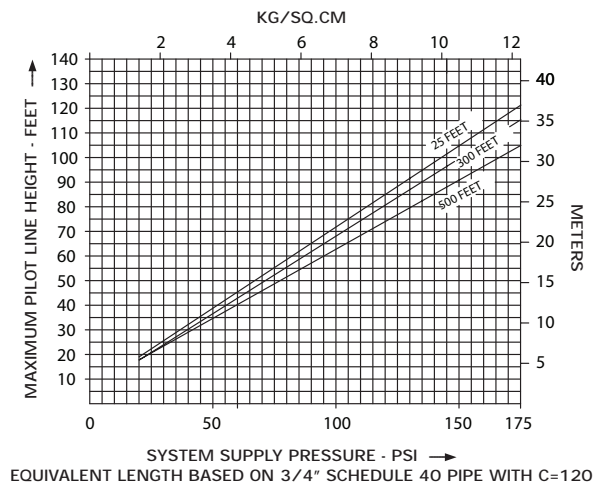
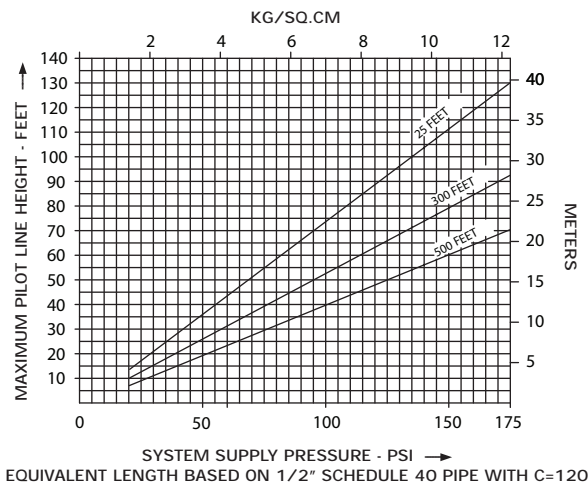
### WET PILOT SPRINKLER HEIGHT LIMITATION OF 200 NB



### WET PILOT SPRINKLER HEIGHT LIMITATION OF 150 NB

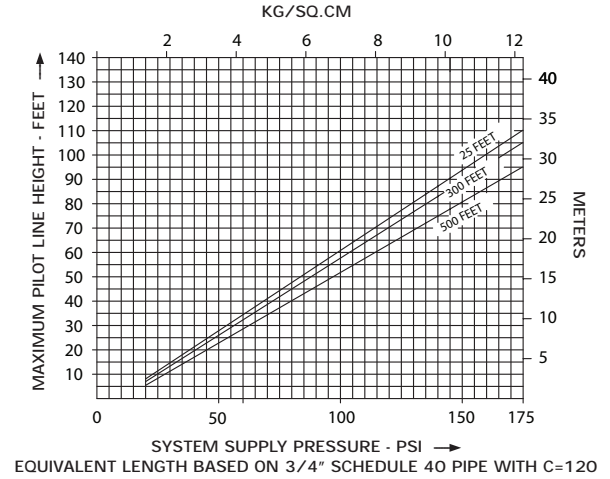
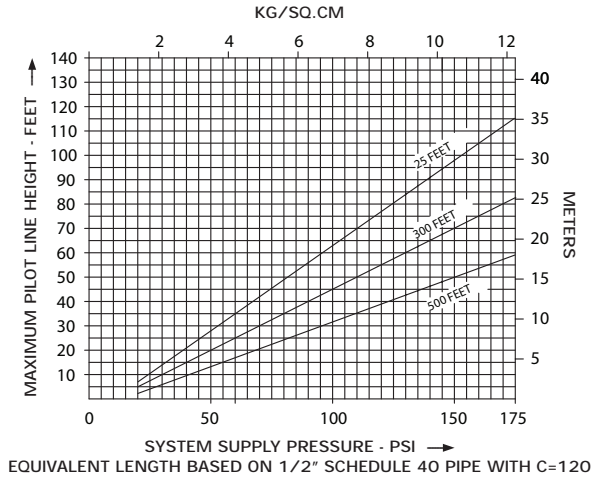


### WET PILOT SPRINKLER HEIGHT LIMITATION OF 100 NB

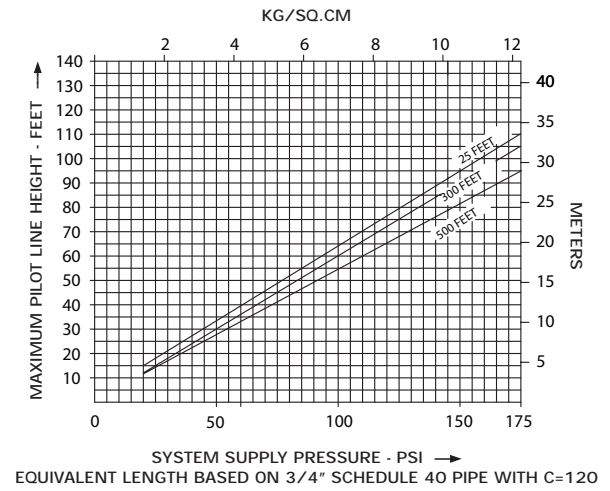
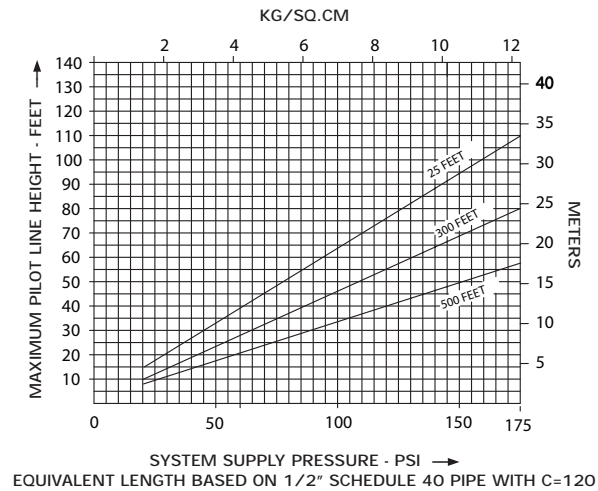




## WET PILOT SPRINKLER HEIGHT LIMITATION OF 80 NB

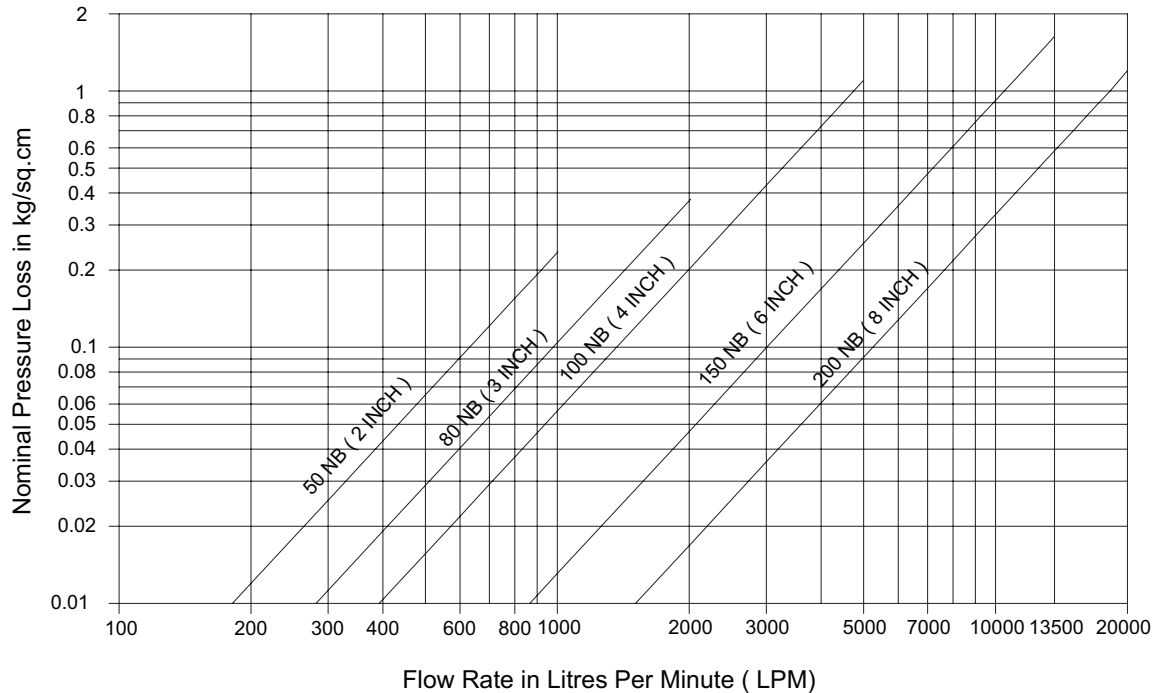


## WET PILOT SPRINKLER HEIGHT LIMITATION OF 50 NB



## NOMINAL PRESSURE LOSS VS FLOW - DELUGE VALVE MODEL A

### Nominal Pressure Loss vs Flow - Deluge Valve ( Model-A)



#### LIMITED WARRANTY

HD FIRE PROTECT PVT. LTD. hereby referred to as HD FIRE warrants to the original purchaser of the fire protection products manufactured by HD FIRE and to any other person to whom such equipment is transferred, that such products will be free from defect in material and workmanship under normal use and care, for two (2) years from the date of shipment by HD FIRE. Products or Components supplied or used by HD FIRE, but manufactured by others, are warranted only to the extent of the manufacturer's warranty. No warranty is given for product or components which have been subject to misuse, improper installation, corrosion, unauthorized repair, alteration or un-maintained. HD FIRE shall not be responsible for system design errors or improper installation or inaccurate or incomplete information supplied by buyer or buyer's representatives. HD FIRE will repair or replace defective material free of charge, which is returned to our factory, transportation charge prepaid, provided after our inspection the material is found to have been defective at the time of initial shipment from our works. HD FIRE shall not be liable for any incidental or consequential loss, damage or expense arising directly or indirectly from the use of the product including damages for injury to person, damages to property and penalties resulting from any products and components manufactured by HD FIRE. HD FIRE shall not be liable for any damages or labour charges or expense in making repair or adjustment to the product. HD FIRE shall not be liable for any damages or charges sustained in the adaptation or use of its engineering data & services. In no event shall HD Fire's product liability exceed an amount equal to the sale price. The foregoing warranty is exclusive and in lieu of all other warranties and representation whether expressed, implied, oral or written, including but not limited to, any implied warranties or merchantability or fitness for a particular purpose. All such other warranties and representations are hereby cancelled.

#### NOTICE :

The equipment presented in this bulletin is to be installed in accordance with the latest publication standards of NFPA or other similar organisations and also with the provision of government codes or ordinances wherever applicable.

The information provided by us is to the best of our knowledge and belief, and consist of general guidelines only. Site handling and installation control is not in our scope. Hence we give no guarantee for result and take no liability for damages, loss or penalties whatsoever, resulting from our suggestion, information, recommendation or damages due to our product.

Product development is a continuous programme of HD FIRE PROTECT PVT. LTD. and hence the right to modify any specification without prior notice is reserved with the company.



**HD FIRE PROTECT PVT. LTD.**  
Protecting What Matters Most to You

D-6/2, ROAD NO. 34, WAGLE INDUSTRIAL ESTATE, THANE 400 604, INDIA.  
 • TEL: + (91) 22 2158 2600      • FAX: +(91) 22 2158 2602  
 • EMAIL: info@hdfire.com      • WEB: www.hdfire.com